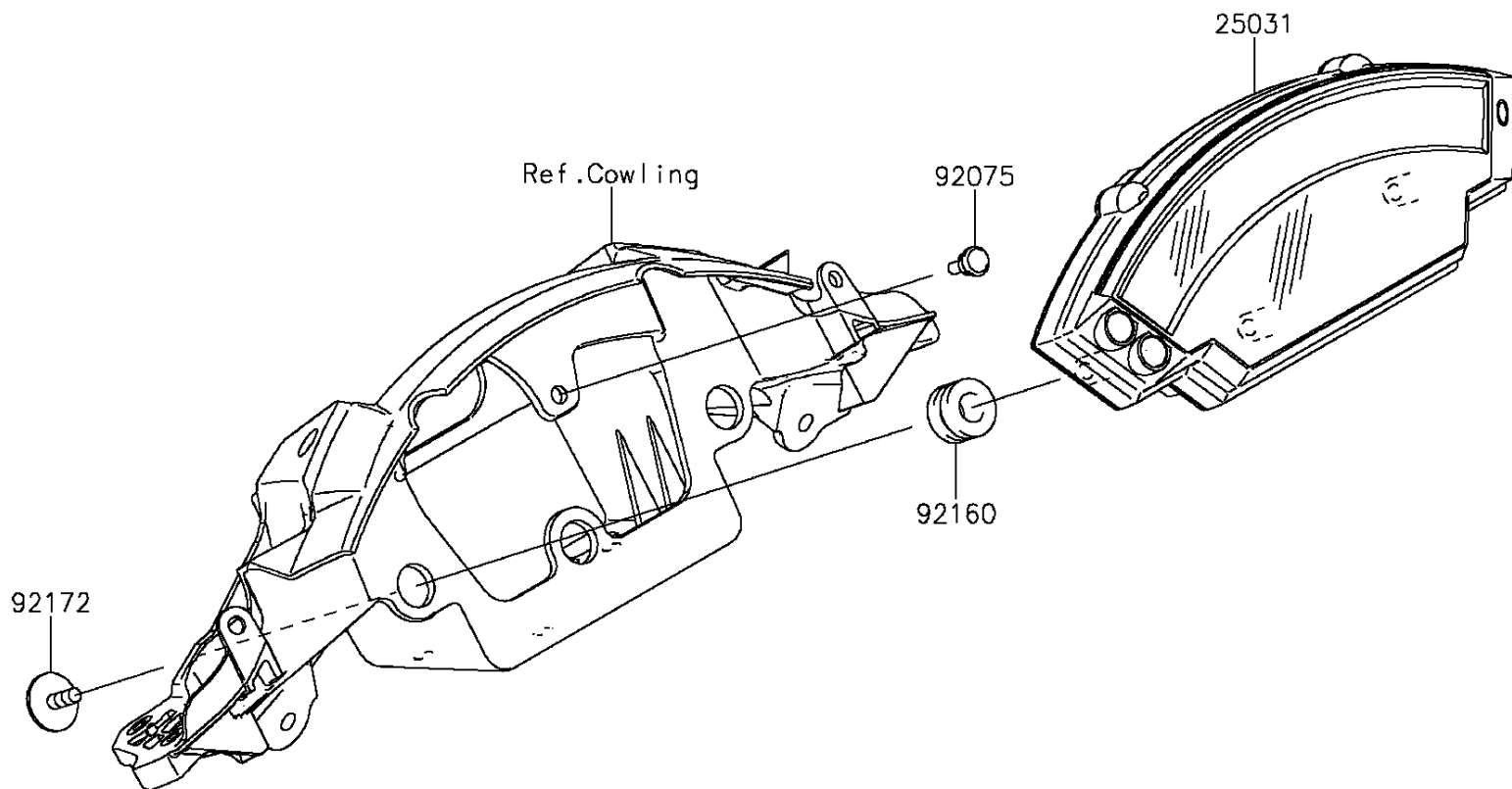


2015 NINJA® ZX™-10R PARTS DIAGRAM

Meter(s)

F2530



2015 NINJA® ZX™-10R PARTS LIST

Meter(s)

| ITEM NAME | PART NUMBER | QUANTITY |
|--------------------------------------|-------------|----------|
| METER-ASSY,COMBINATION (Ref # 25031) | 25031-0415 | 1 |
| DAMPER (Ref # 92075) | 92075-1808 | 1 |
| DAMPER (Ref # 92160) | 92160-1167 | 1 |
| SCREW,TAPPING,WP,5X14 (Ref # 92172) | 92172-0441 | 1 |