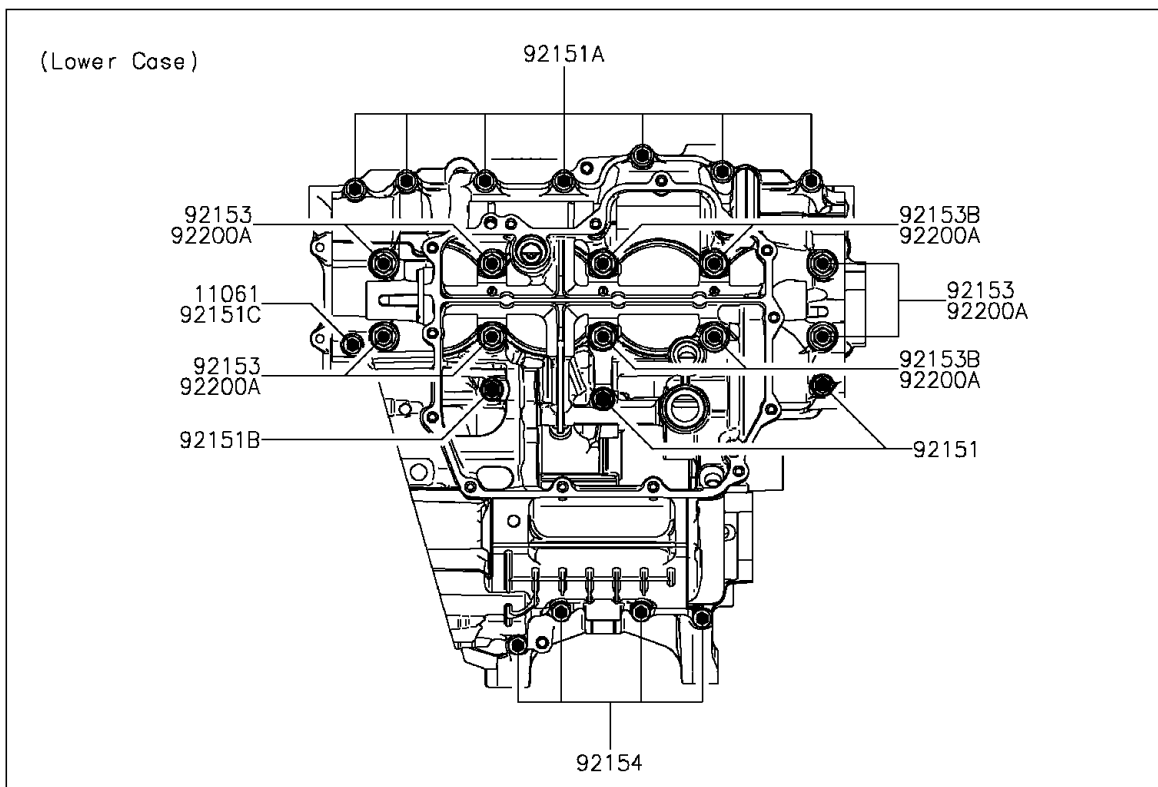
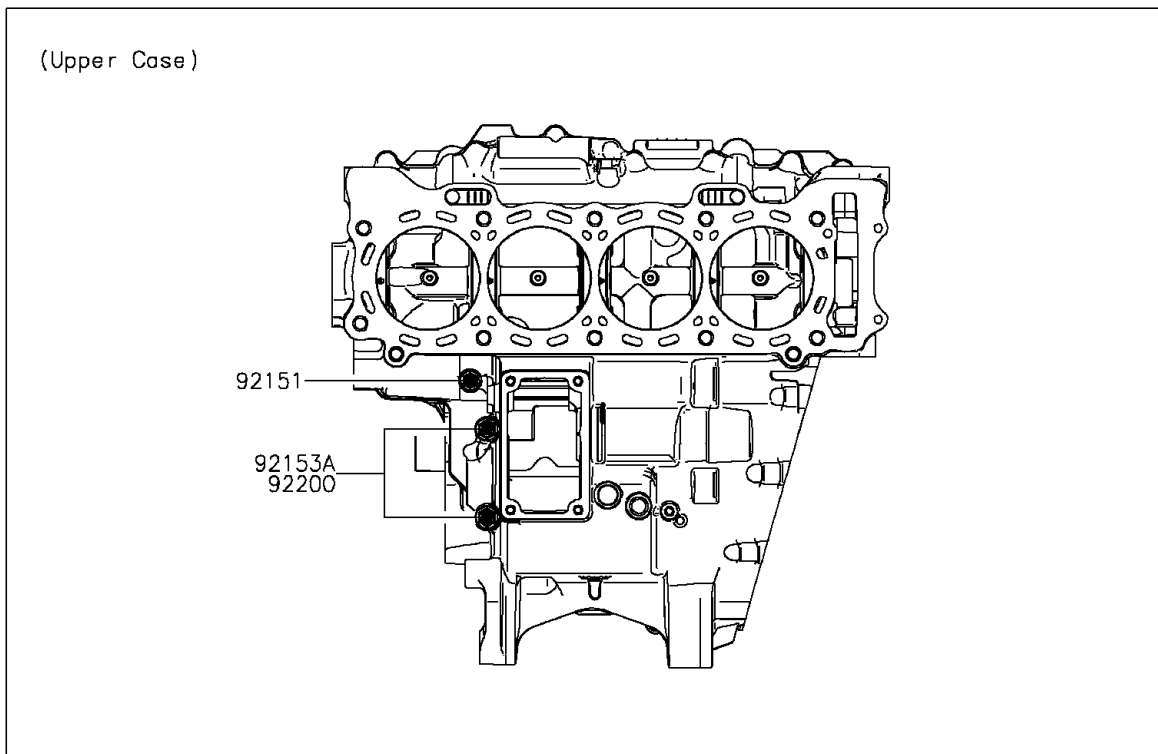


2015 NINJA® ZX™-10R PARTS DIAGRAM

Crankcase Bolt Pattern

E1412



2015 NINJA® ZX™-10R PARTS LIST

Crankcase Bolt Pattern

| ITEM NAME | PART NUMBER | QUANTITY |
|-----------------------------------|-------------|----------|
| GASKET,6.2X13.5X1.0 (Ref # 11061) | 11061-0262 | 1 |
| BOLT,FLANGED,7X50 (Ref # 92151) | 92151-1223 | 1 |
| BOLT,FLANGED,6X45 (Ref # 92151A) | 92151-1521 | 1 |
| BOLT,FLANGED,7X45 (Ref # 92151B) | 92151-1539 | 1 |
| BOLT,6X60 (Ref # 92151C) | 92151-1791 | 1 |
| BOLT,FLANGED,9X100 (Ref # 92153) | 92153-0447 | 1 |
| BOLT,8X63 (Ref # 92153A) | 92153-1110 | 1 |
| BOLT,FLANGED,9X113 (Ref # 92153B) | 92153-1449 | 1 |
| BOLT,FLANGED,6X40 (Ref # 92154) | 92154-0861 | 1 |
| WASHER,8.2X16X1.6 (Ref # 92200) | 92200-0047 | 1 |
| WASHER,9.2X19X2.3 (Ref # 92200A) | 92200-0115 | 1 |