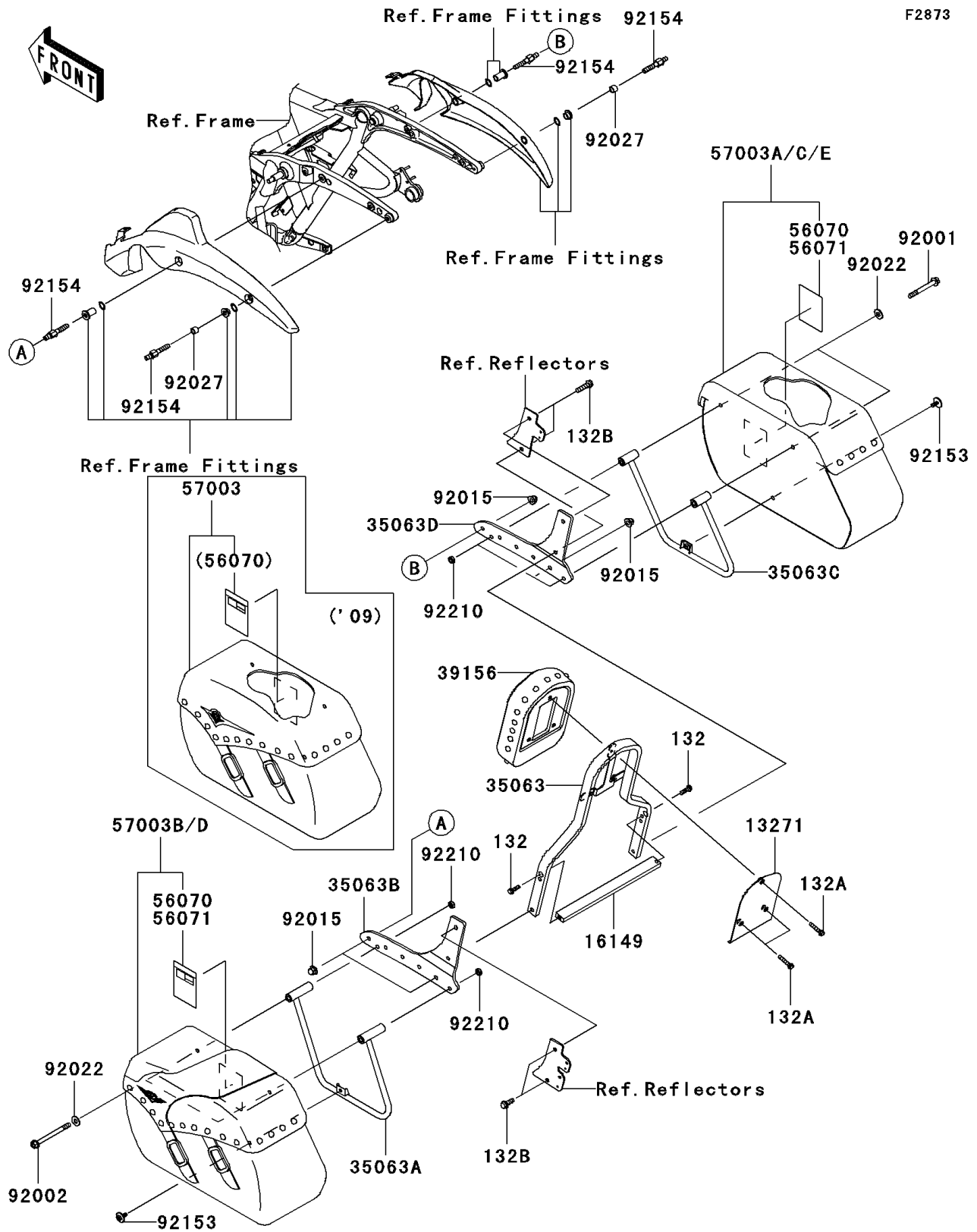


## 2009 Vulcan® 1700 Classic LT PARTS DIAGRAM

Saddlebags

F2873



## 2009 Vulcan® 1700 Classic LT PARTS LIST

Saddlebags

ITEM NAME	PART NUMBER	QUANTITY
BOLT-FLANGED-SMALL,6X20 (Ref # 132)	132BB0620	1
BOLT-FLANGED-SMALL,6X30 (Ref # 132A)	132E0630	1
BOLT-FLANGED-SMALL,8X20 (Ref # 132B)	132E0820	1
PLATE,BACKREST (Ref # 13271)	13271-0728	1
BAR (Ref # 16149)	16149-0032	1
STAY,BACKREST (Ref # 35063)	35063-0346	1
STAY,SIDE BAG,LH (Ref # 35063A)	35063-0575	1
STAY,BACKREST,LH (Ref # 35063B)	35063-0576	1
STAY,SIDE BAG,RH (Ref # 35063C)	35063-0577	1
STAY,BACKREST,RH (Ref # 35063D)	35063-0578	1
PAD,SISSY BAR,BLACK,W/RIVET (Ref # 39156)	39156-0118-MA	1
LABEL-WARNING,SADDLEBAG (Ref # 56070)	56070-0076	1
BAG-ASSY,LH (Ref # 57003)	57003-0009	1
BAG-ASSY,RH (Ref # 57003A)	57003-0010	1
BOLT,8X67 (Ref # 92001)	92001-1928	1
BOLT,FLANGED,8X90 (Ref # 92002)	92002-1849	1
NUT,CAP,8MM (Ref # 92015)	92015-1151	1
WASHER,8.5X20X1.6 (Ref # 92022)	92022-1561	1
COLLAR,8.8X12X9 (Ref # 92027)	92027-1568	1
BOLT,6X16 (Ref # 92153)	92153-0684	1
BOLT,8MM (Ref # 92154)	92154-0104	1
NUT,LOCK,8MM (Ref # 92210)	92210-1243	1