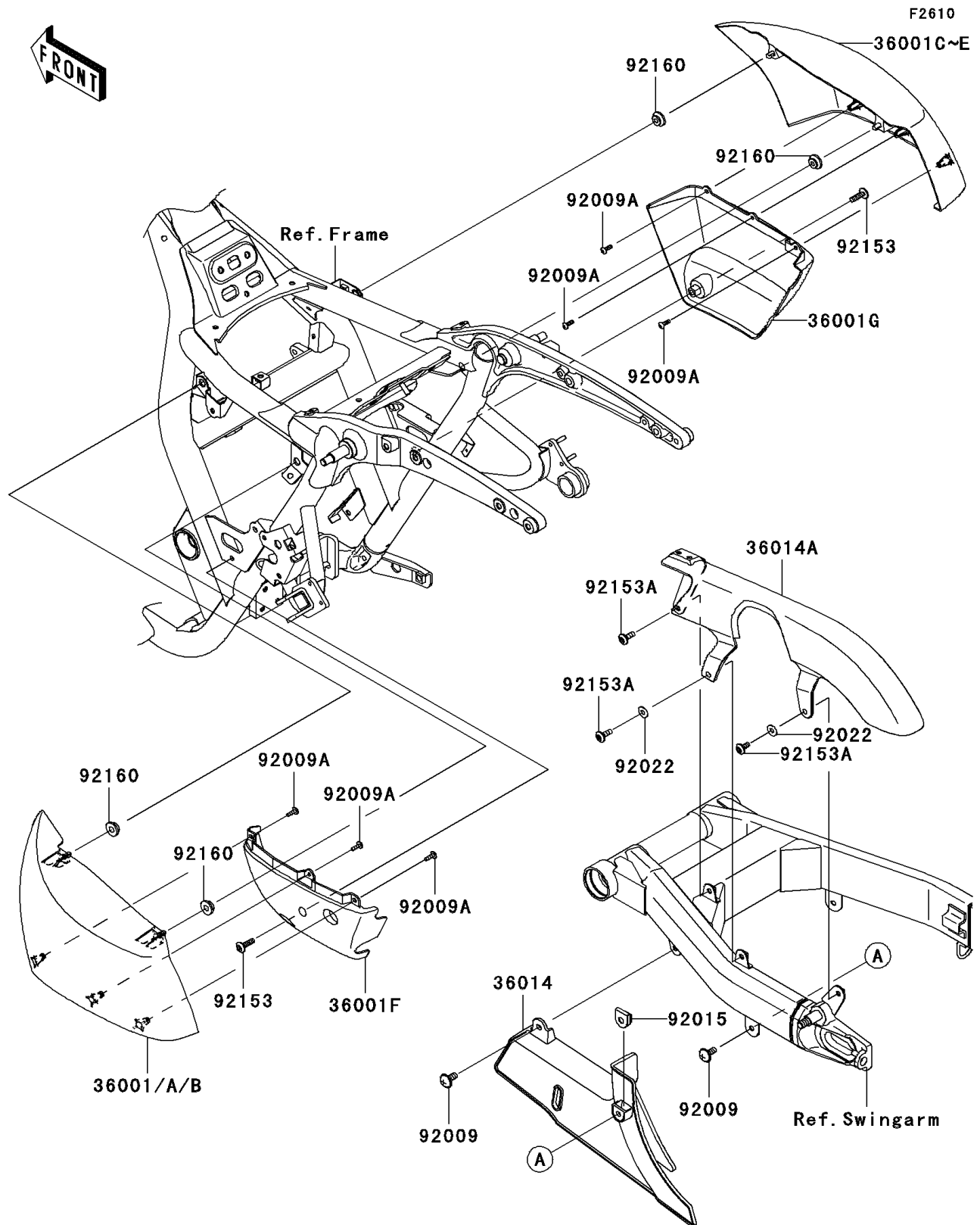


2009 Vulcan® 1700 Classic LT PARTS DIAGRAM

Side Covers/Chain Cover



2009 Vulcan® 1700 Classic LT PARTS LIST

Side Covers/Chain Cover

ITEM NAME	PART NUMBER	QUANTITY
COVER-SIDE,LH,UPP,M.N.BLUE (Ref # 36001)	36001-0157-C6	1
COVER-SIDE,LH,UPP,M.D.GREEN (Ref # 36001B)	36001-0157-727	1
COVER-SIDE,RH,UPP,M.N.BLUE (Ref # 36001C)	36001-0158-C6	1
COVER-SIDE,RH,UPP,M.D.GREEN (Ref # 36001E)	36001-0158-727	1
COVER-SIDE,LH,LWR (Ref # 36001F)	36001-0190	1
COVER-SIDE,RH,LWR (Ref # 36001G)	36001-0191	1
CASE-CHAIN (Ref # 36014)	36014-0042	1
CASE-CHAIN,UPP (Ref # 36014A)	36014-0057	1
SCREW,6X14 (Ref # 92009)	92009-1555	1
SCREW,TAPPING,4X14 (Ref # 92009A)	92009-1792	1
NUT,CLIP,6MM (Ref # 92015)	92015-1904	1
WASHER,6.5X16X1.0 (Ref # 92022)	92022-1654	1
BOLT,SOCKET,6X22 (Ref # 92153)	92153-0574	1
BOLT,6X18 (Ref # 92153A)	92153-0816	1
DAMPER (Ref # 92160)	92160-1613	1