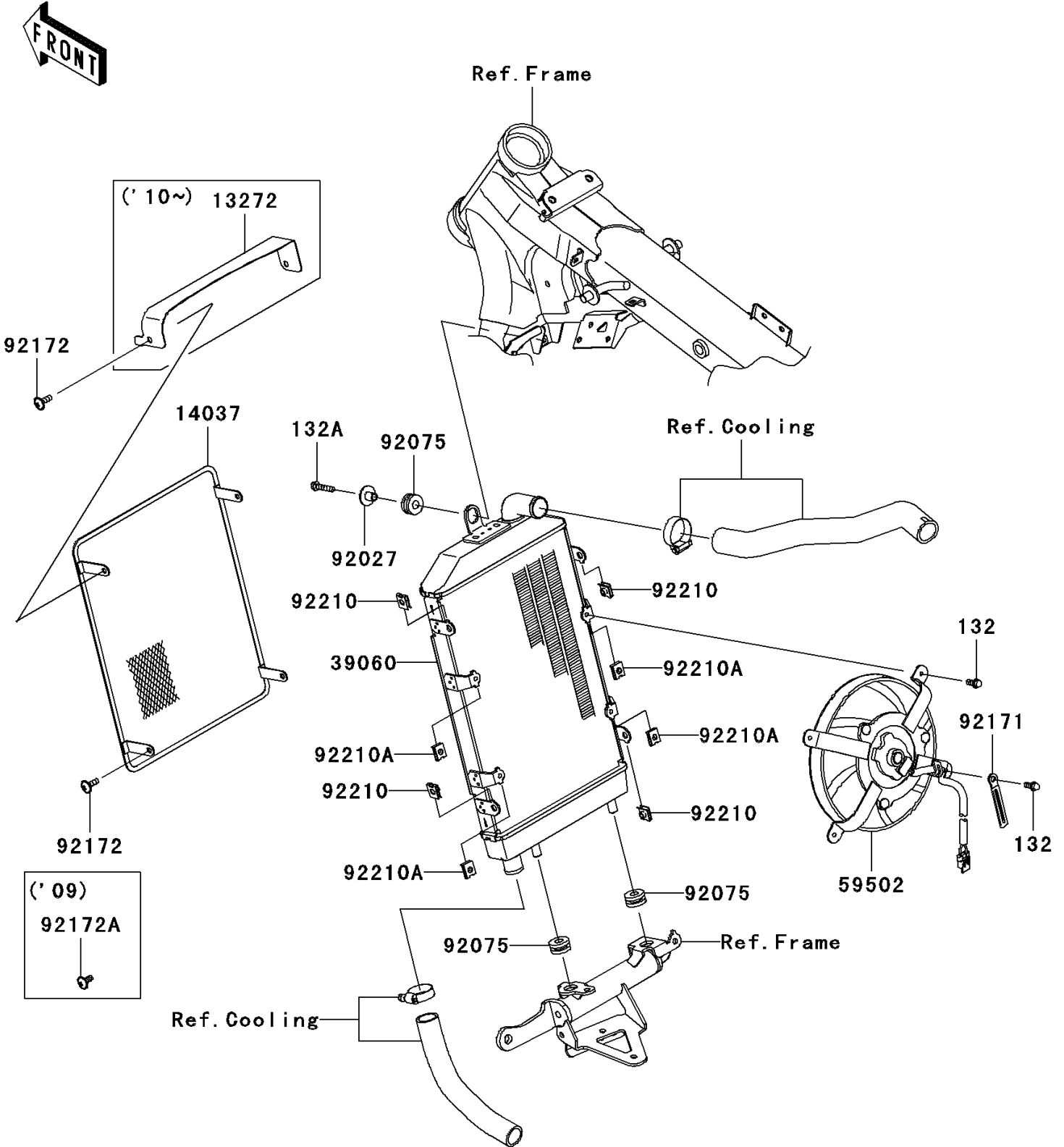


2009 Vulcan® 1700 Classic LT PARTS DIAGRAM

Radiator

E3032



2009 Vulcan® 1700 Classic LT PARTS LIST

Radiator

ITEM NAME	PART NUMBER	QUANTITY
BOLT-FLANGED-SMALL,6X14 (Ref # 132)	132BB0614	1
BOLT-FLANGED-SMALL,6X20 (Ref # 132A)	132BB0620	1
SCREEN,INNER (Ref # 14037)	14037-0014	1
RADIATOR (Ref # 39060)	39060-0059	1
FAN-ASSY (Ref # 59502)	59502-0040	1
COLLAR,L=13.1,BLACK (Ref # 92027)	92027-1450	1
DAMPER (Ref # 92075)	92075-1690	1
CLAMP (Ref # 92171)	92171-0791	1
SCREW,6X10 (Ref # 92172A)	92172-0005	1
NUT (Ref # 92210)	92210-1125	1
NUT (Ref # 92210A)	92210-1323	1