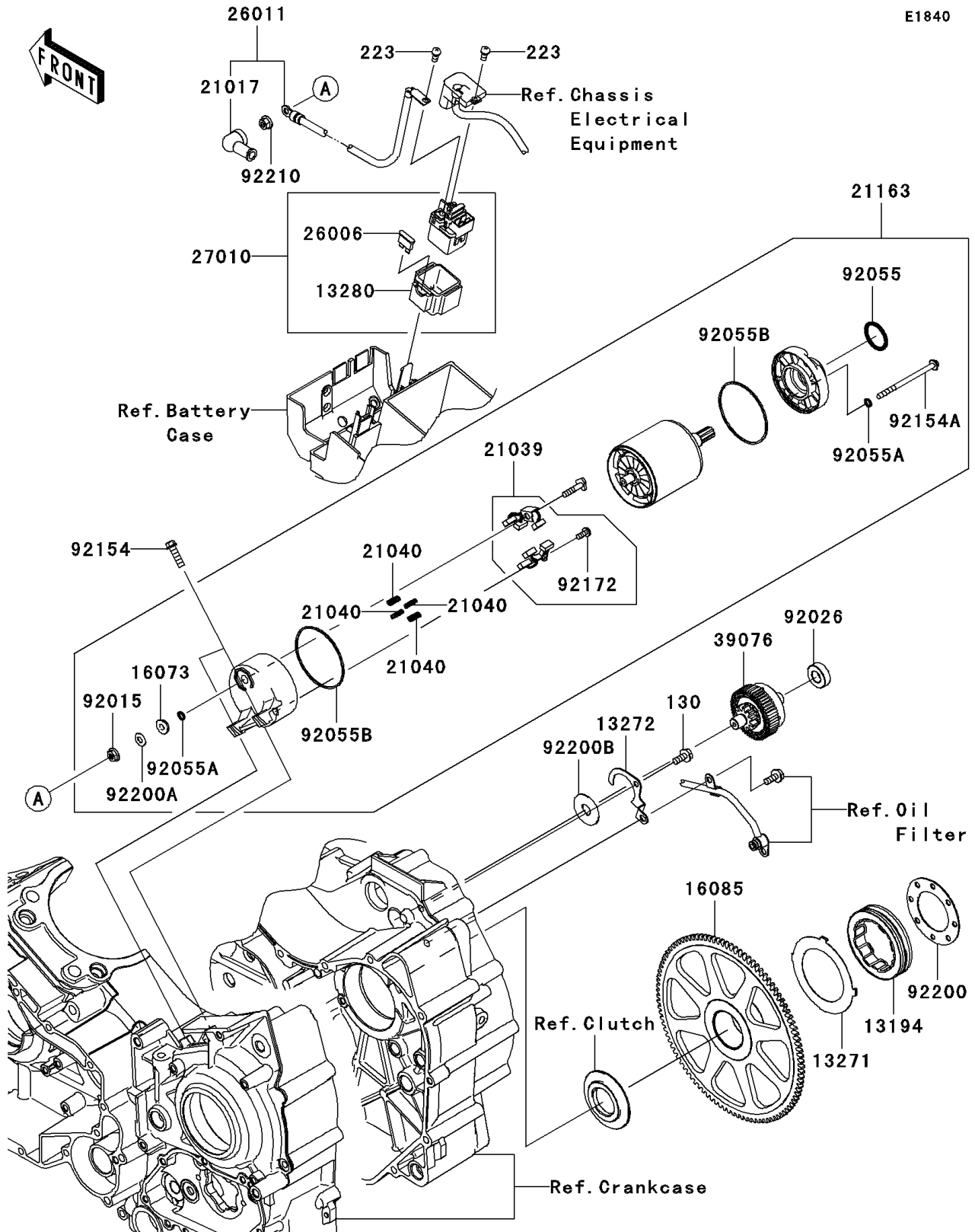


2009 Vulcan® 1700 Classic LT PARTS DIAGRAM

Starter Motor



E1840

2009 Vulcan® 1700 Classic LT PARTS LIST

Starter Motor

| ITEM NAME | PART NUMBER | QUANTITY |
|---|-------------|----------|
| BOLT-FLANGED,6X14 (Ref # 130) | 130BA0614 | 1 |
| SCREW-PAN-WS-CROS,5X10 (Ref # 223) | 223AA0510 | 1 |
| CLUTCH-ONEWAY (Ref # 13194) | 13194-0001 | 1 |
| PLATE (Ref # 13271) | 13271-0037 | 1 |
| PLATE,LIMITER (Ref # 13272) | 13272-0673 | 1 |
| HOLDER (Ref # 13280) | 13280-1263 | 1 |
| INSULATOR (Ref # 16073) | 16073-0053 | 1 |
| GEAR,FREE WHEEL (Ref # 16085) | 16085-0121 | 1 |
| GROMMET,STARTER TERMINAL (Ref # 21017) | 21017-017 | 1 |
| BRUSH (Ref # 21039) | 21039-0009 | 1 |
| SPRING-BRUSH (Ref # 21040) | 21040-0003 | 1 |
| STARTER-ELECTRIC (Ref # 21163) | 21163-0055 | 1 |
| FUSE,30A-G (Ref # 26006) | 26006-1006 | 1 |
| WIRE-LEAD (Ref # 26011) | 26011-0239 | 1 |
| SWITCH,MAGNETIC (Ref # 27010) | 27010-1446 | 1 |
| LIMITER,STARTER IDLE GEAR (Ref # 39076) | 39076-0017 | 1 |
| NUT,STARTER MOTOR (Ref # 92015) | 92015-1476 | 1 |
| SPACER,12.3X25X8.1 (Ref # 92026) | 92026-0127 | 1 |
| RING-0 (Ref # 92055) | 92055-1276 | 1 |
| RING-0,4.5X2.0 (Ref # 92055A) | 92055-1370 | 1 |
| RING-0,STARTER MOTOR (Ref # 92055B) | 92055-1381 | 1 |
| BOLT,FLANGED-SMALL,6X22 (Ref # 92154) | 92154-0198 | 1 |
| BOLT (Ref # 92154A) | 92154-0265 | 1 |
| SCREW (Ref # 92172) | 92172-0334 | 1 |
| WASHER,44X73.5X1.2 (Ref # 92200) | 92200-0019 | 1 |
| WASHER (Ref # 92200A) | 92200-0386 | 1 |
| WASHER,12X34X1.6 (Ref # 92200B) | 92200-0478 | 1 |
| NUT,6MM (Ref # 92210) | 92210-0188 | 1 |