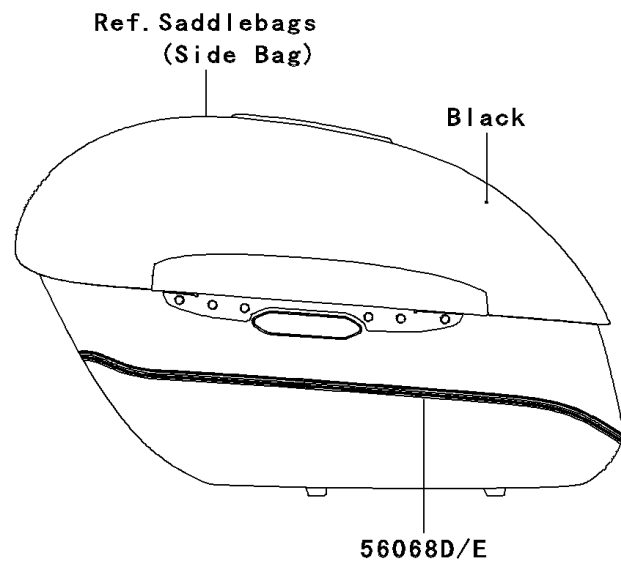
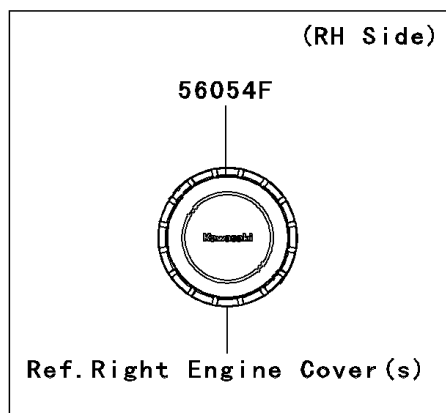
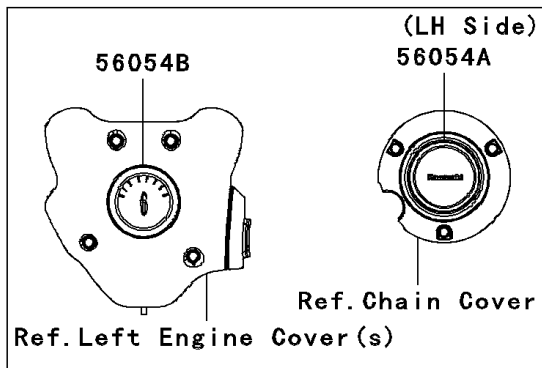
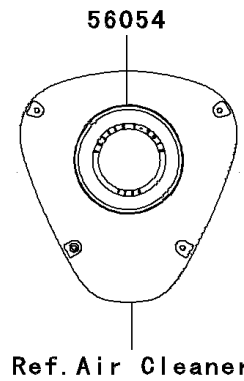
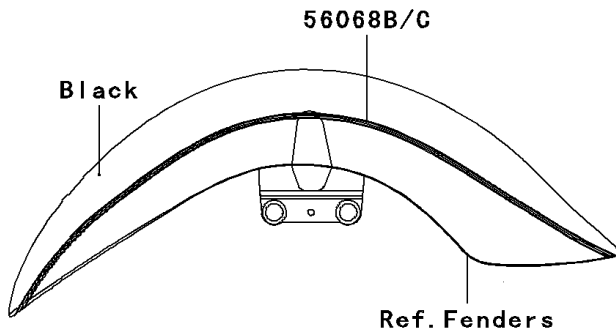
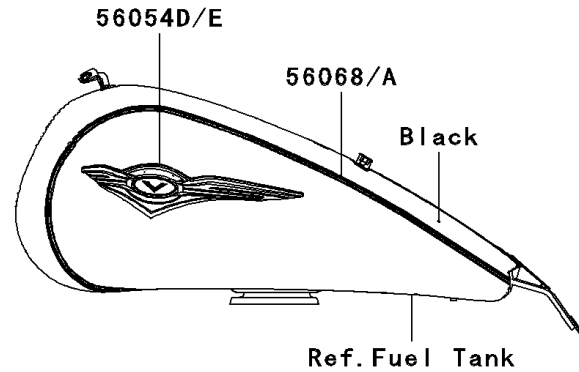
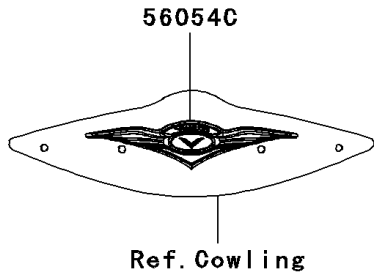


## 2009 Vulcan® 1700 Nomad™ PARTS DIAGRAM

Decals(Black)(C9F)

F2861



## 2009 Vulcan® 1700 Nomad™ PARTS LIST

Decals(Black)(C9F)

| ITEM NAME                            | PART NUMBER | QUANTITY |
|--------------------------------------|-------------|----------|
| MARK,AIR CLEANER COVER (Ref # 56054) | 56054-0303  | 1        |
| MARK,PULLEY COVER (Ref # 56054A)     | 56054-0304  | 1        |
| MARK,GENERATOR COVER (Ref # 56054B)  | 56054-0305  | 1        |
| MARK,OUTER PLATE (Ref # 56054C)      | 56054-0307  | 1        |
| MARK,FUEL TANK,LH (Ref # 56054D)     | 56054-0326  | 1        |
| MARK,FUEL TANK,RH (Ref # 56054E)     | 56054-0327  | 1        |
| MARK,CLUTCH COVER (Ref # 56054F)     | 56054-0463  | 1        |
| PATTERN,FUEL TANK,LH (Ref # 56068)   | 56068-1567  | 1        |
| PATTERN,FUEL TANK,RH (Ref # 56068A)  | 56068-1568  | 1        |
| PATTERN,FR FENDER,LH (Ref # 56068B)  | 56068-1569  | 1        |
| PATTERN,FR FENDER,RH (Ref # 56068C)  | 56068-1570  | 1        |
| PATTERN,SIDE BAG,LH (Ref # 56068D)   | 56068-1571  | 1        |
| PATTERN,SIDE BAG,RH (Ref # 56068E)   | 56068-1572  | 1        |