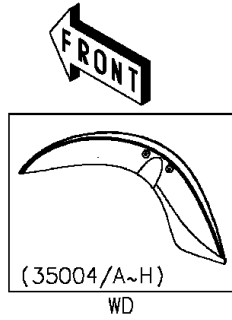


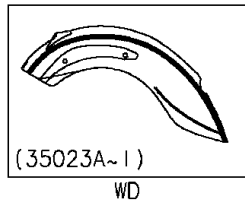
2011 Vulcan® 900 Classic LT PARTS DIAGRAM

Fenders

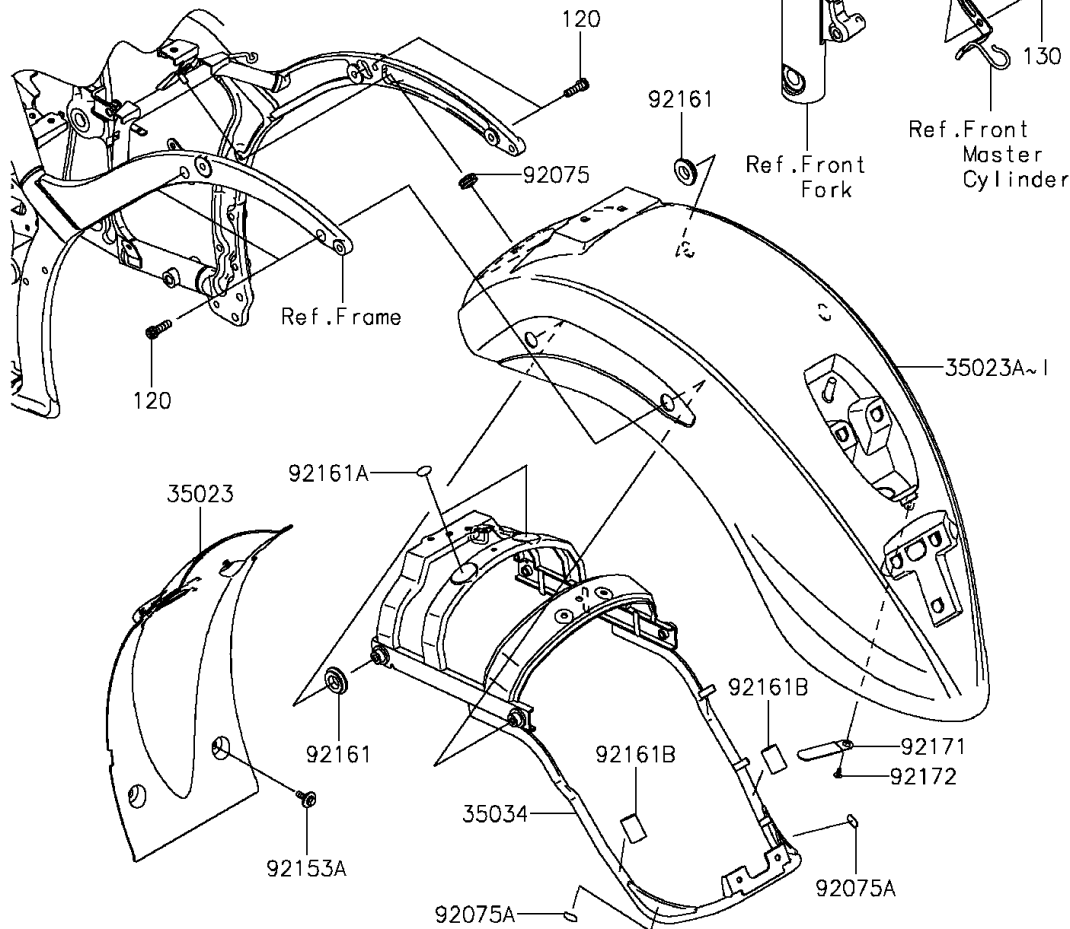
F2170



(35004/E)	Ebony/Titanium
(35004A)	Blue/Blue
(35004B)	Red/Beige
(35004C)	Ebony/Gray
(35004D)	White/Blue
(35004F)	Red/Gray
(35004G/H)	Gray/Black



(35023A/F)	Ebony/Titanium
(35023B)	Blue/Blue
(35023C)	Red/Beige
(35023D)	Ebony/Gray
(35023E)	White/Blue
(35023G/I)	Gray/Black
(35023H)	Red/Gray



2011 Vulcan® 900 Classic LT PARTS LIST

Fenders

ITEM NAME	PART NUMBER	QUANTITY
FENDER-FRONT,EBONY/TITANIUM (Ref # 35004)	35004-5351-11W	1
FENDER-FRONT,BLUE/BLUE (Ref # 35004A)	35004-5352-32S	1
BRACE,FRONT FENDER (Ref # 35009)	35009-0014	1
FENDER-REAR,INNER (Ref # 35023)	35023-0073	1
FENDER-REAR,EBONY/TITANIUM (Ref # 35023A)	35023-5177-11W	1
FENDER-REAR,BLUE/BLUE (Ref # 35023B)	35023-5178-32S	1
REINFORCE,REAR FENDER (Ref # 35034)	35034-0090	1
BOLT-SOCKET,8X25 (Ref # 120)	120CA0825	1
BOLT-FLANGED,8X14 (Ref # 130)	130BB0814	1
DAMPER (Ref # 92075)	92075-1067	1
DAMPER (Ref # 92075A)	92075-1841	1
BOLT,SOCKET,6X16 (Ref # 92153)	92153-0817	1
BOLT,6X20 (Ref # 92153A)	92153-1599	1
DAMPER (Ref # 92161)	92161-0375	1
DAMPER (Ref # 92161A)	92161-0406	1
DAMPER (Ref # 92161B)	92161-0459	1
CLAMP (Ref # 92171)	92171-0181	1
SCREW,TAPPING,4X10 (Ref # 92172)	92172-0172	1
WASHER,6.5X14X1 (Ref # 92200)	92200-1388	1