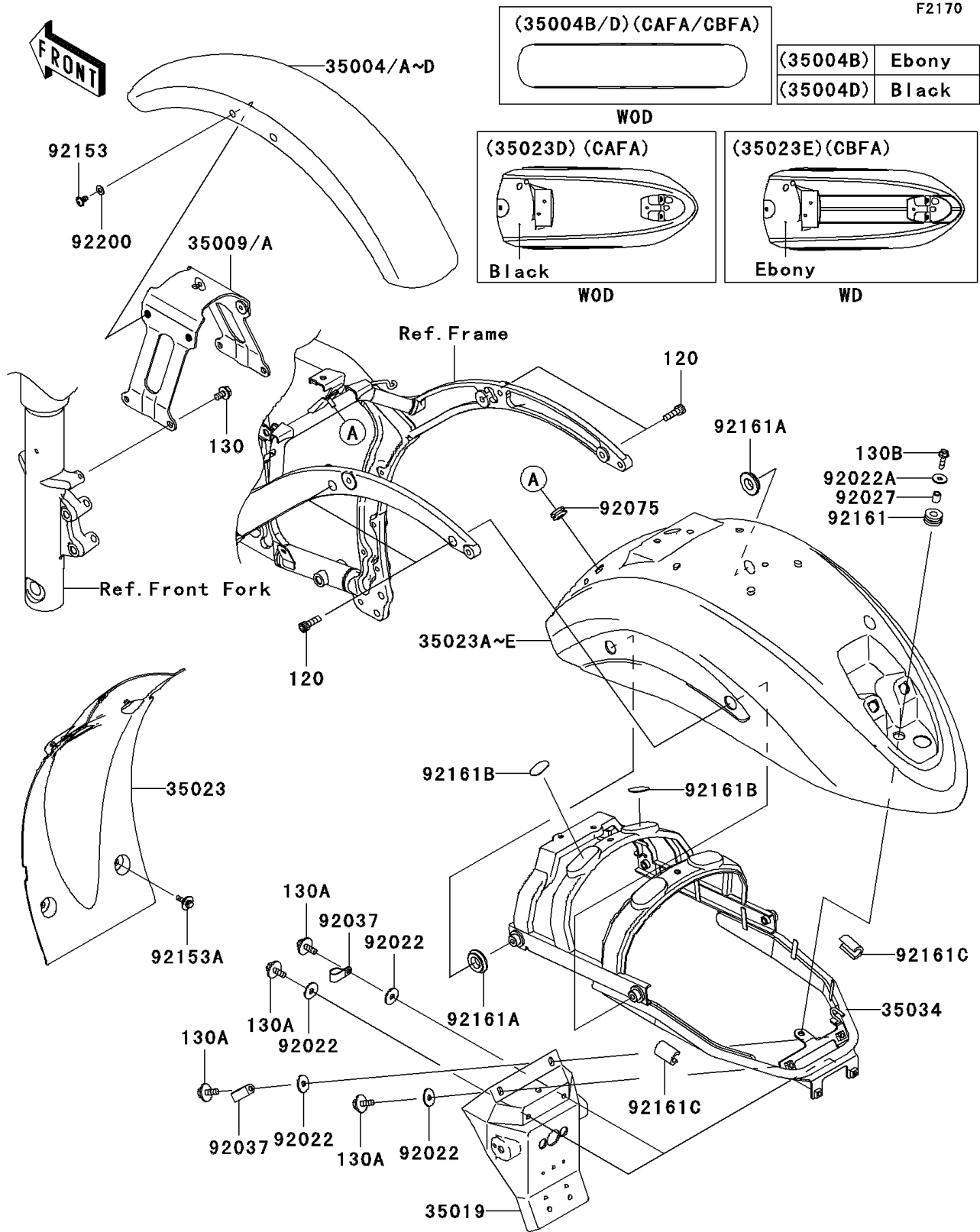


## 2010 Vulcan® 900 Custom PARTS DIAGRAM

Fenders



## 2010 Vulcan® 900 Custom PARTS LIST

### Fenders

ITEM NAME	PART NUMBER	QUANTITY
BOLT-SOCKET,8X25 (Ref # 120)	120CA0825	1
BOLT-FLANGED,8X14 (Ref # 130)	130BA0814	1
BOLT-FLANGED,6X16 (Ref # 130A)	130BB0616	1
BOLT-FLANGED,6X22 (Ref # 130B)	130BB0622	1
FENDER-FRONT,C.P.RED (Ref # 35004)	35004-0082-A5	1
FENDER-FRONT,C.S.BLUE (Ref # 35004A)	35004-0082-25V	1
BRACE,FRONT FENDER (Ref # 35009)	35009-0024	1
FLAP (Ref # 35019)	35019-0014	1
FENDER-REAR,INNER (Ref # 35023)	35023-0073	1
FENDER-REAR,C.P.RED (Ref # 35023A)	35023-0106-A5	1
FENDER-REAR,C.S.BLUE (Ref # 35023B)	35023-0106-25V	1
REINFORCE,REAR FENDER (Ref # 35034)	35034-0086	1
WASHER,6.5X20X1.6,BLACK (Ref # 92022)	92022-1346	1
WASHER,6.5X20X1.6 (Ref # 92022A)	92022-1557	1
COLLAR,6.8X10X12 (Ref # 92027)	92027-162	1
CLAMP (Ref # 92037)	92037-1608	1
DAMPER (Ref # 92075)	92075-1067	1
BOLT,SOCKET,6X10 (Ref # 92153)	92153-1527	1
BOLT,6X20 (Ref # 92153A)	92153-1599	1
DAMPER (Ref # 92161)	92161-0163	1
DAMPER (Ref # 92161A)	92161-0375	1
DAMPER (Ref # 92161B)	92161-0406	1
DAMPER (Ref # 92161C)	92161-0459	1
WASHER,6.5X14X1 (Ref # 92200)	92200-1388	1