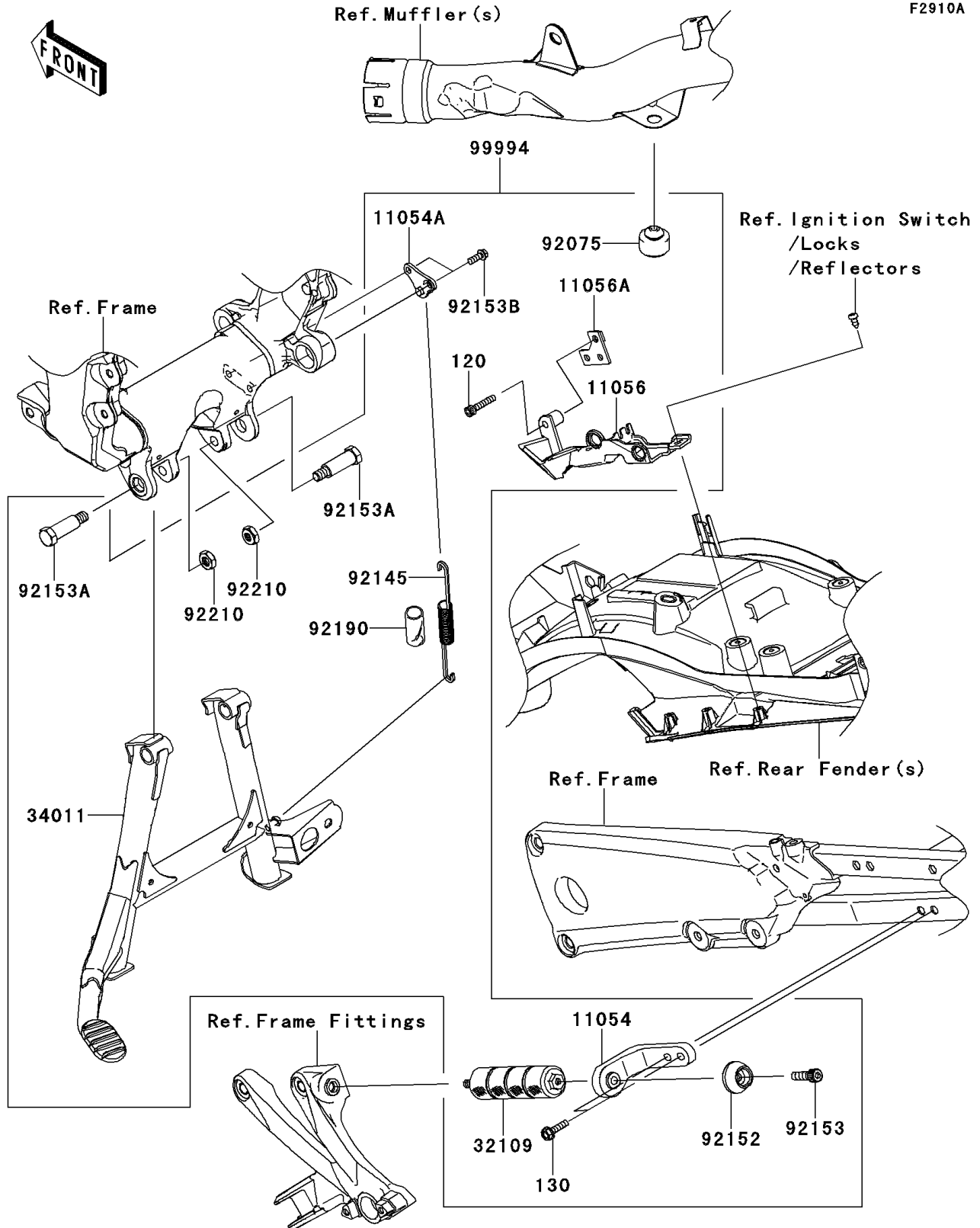


## 2013 NINJA® ZX™-14R ABS PARTS DIAGRAM

Accessory(Centerstand)

F2910A



## 2013 NINJA® ZX™-14R ABS PARTS LIST

Accessory(Centerstand)

ITEM NAME	PART NUMBER	QUANTITY
BOLT-SOCKET,6X30 (Ref # 120)	120CA0630	1
BOLT-FLANGED,6X25 (Ref # 130)	130BA0625	1
BRACKET,CENTER STAND GRIP (Ref # 11054)	11054-0452	1
BRACKET,CENTER STAND SPRING (Ref # 11054A)	11054-0744	1
BRACKET (Ref # 11056)	11056-1819	1
BRACKET (Ref # 11056A)	11056-1820	1
GRIP-FRAME,CENTER STAND (Ref # 32109)	32109-0021	1
STAND-CENTER (Ref # 34011)	34011-0061	1
DAMPER (Ref # 92075)	92075-015	1
SPRING,CENTER STAND (Ref # 92145)	92145-0362	1
COLLAR (Ref # 92152)	92152-0668	1
BOLT,SOCKET,10X30 (Ref # 92153)	92153-1524	1
BOLT,CENTER STAND,10MM (Ref # 92153A)	92153-1593	1
BOLT,FLANGED,6X14 (Ref # 92153B)	92153-1594	1
TUBE,16.5X20.5X55 (Ref # 92190)	92190-1462	1
NUT,LOCK,10MM (Ref # 92210)	92210-0278	1
KIT,CENTERSTAND (Ref # 99994)	99994-0343	1