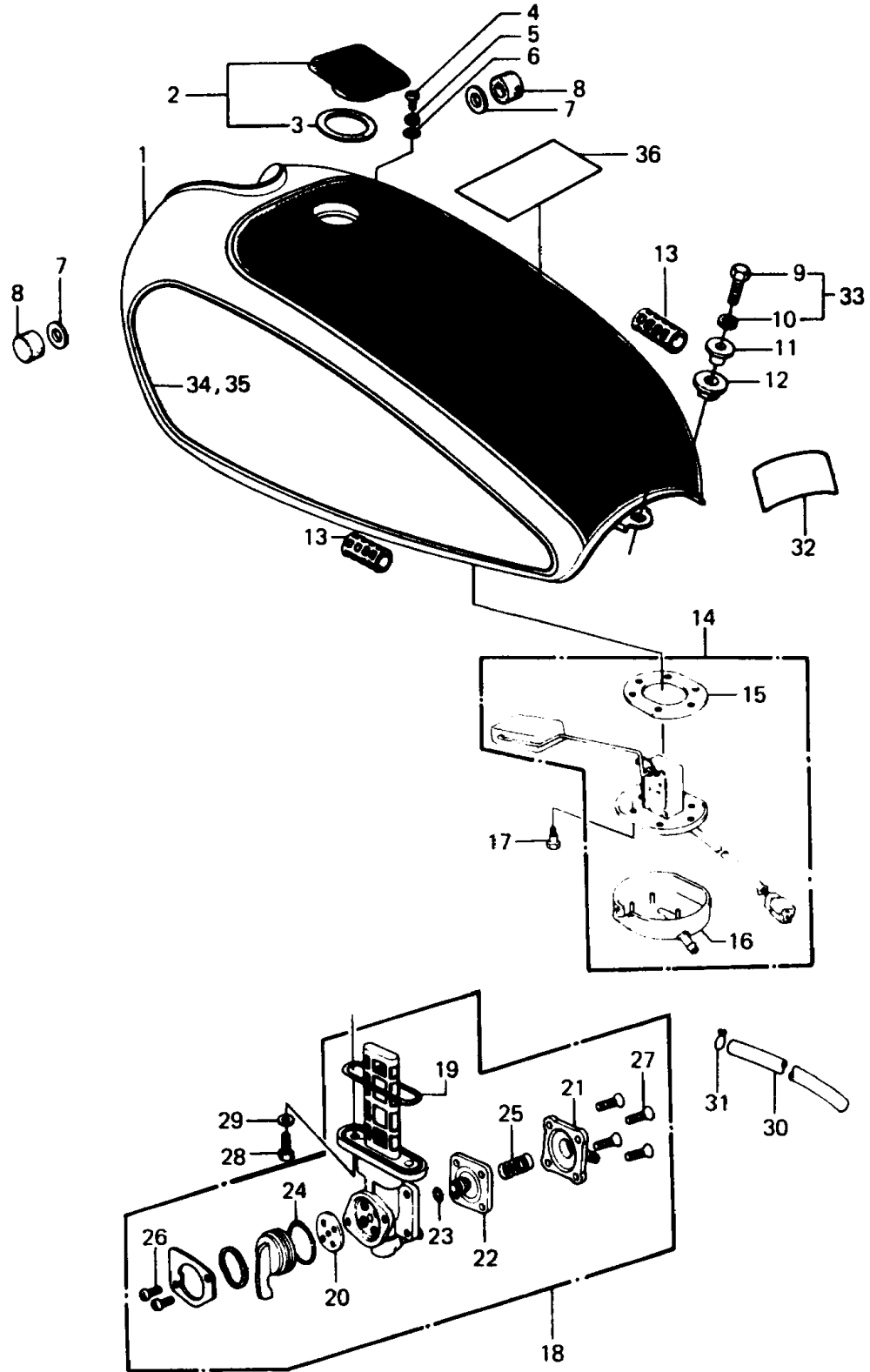


## 1987 PARTS DIAGRAM

Fuel Tank



## 1987 PARTS LIST

Fuel Tank

ITEM NAME	PART NUMBER	QUANTITY
WASHER-SPRING,8MM (Ref # 10)	461F0800	1
COLLAR,L=14 (Ref # 11)	92027-1134	1
DAMPER,FUEL TANK (Ref # 12)	92075-1116	1
DAMPER,FUEL TANK (Ref # 13)	92075-084	1
GAUGE,FUEL (Ref # 14)	52005-1027	1
GASKET,FUEL GAUGE (Ref # 15)	11009-1037	1
COVER,FUEL GAUGE (Ref # 16)	14025-1400	1
BOLT,FUEL GAUGE (Ref # 17)	92001-1069	1
TAP-ASSY,FUEL (Ref # 18)	51023-1039	1
RING,TAP FLANGED (Ref # 19)	51039-010	1
GASKET,TAP VALVE (Ref # 20)	11009-1194	1
COVER-ASSY,TAP DIAPHRAGM (Ref # 21)	16146-1005	1
DIAPHRAGM,TAP (Ref # 22)	43028-1015	1
O RING,4MM (Ref # 23)	670B1504	1
RING-O,TAP LEVER (Ref # 24)	92055-1027	1
SPRING,TAP DIAPHRAGM (Ref # 25)	92081-1171	1
SCREW-PAN-CROS,3X8 (Ref # 26)	220B0308A	1
SCREW-CSK-CROS,4X14 (Ref # 27)	221B0414A	1
BOLT,6X20 (Ref # 28)	92001-1091	1
WASHER,6.2X11X1.5 (Ref # 29)	92022-183	1
TUBE-RUBBER,7X10X780 (Ref # 30)	702A07780	1
CLAMP,TUBE (Ref # 31)	92037-147	1
LABEL-WARNING,AIR INTAKE (Ref # 32)	56040-1014	1
BOLT-UPSET-WS-SMALL (Ref # 33)	183B0830	1
PATTERN,FUEL TANK,LH (Ref # 34)	56027-4073	1
PATTERN,FUEL TANK,RH (Ref # 35)	56027-4072	1
LABEL,WARNING,PURSUIT (Ref # 36)	99969-0847	1
TANK-COMP-FUEL,J.WHITE (Ref # 1)	51001-1101-8C	1
CAP-ASSY-TANK,BLACK (Ref # 2)	51048-1015	1

## 1987 PARTS LIST

Fuel Tank

ITEM NAME	PART NUMBER	QUANTITY
GASKET,FUEL TANK CAP (Ref # 3)	11009-1051	1
SCREW-PAN-CROS,5X10 (Ref # 4)	220B0510A	1
WASHER,5.3X10X0.8 (Ref # 5)	92022-1038	1
RING-O (Ref # 6)	92055-1023	1
WASHER,10.5X26X2.3 (Ref # 7)	92022-044	1
DAMPER,FUEL TANK (Ref # 8)	92075-125	1
BOLT-SMALL,8X30 (Ref # 9)	114B0830	1