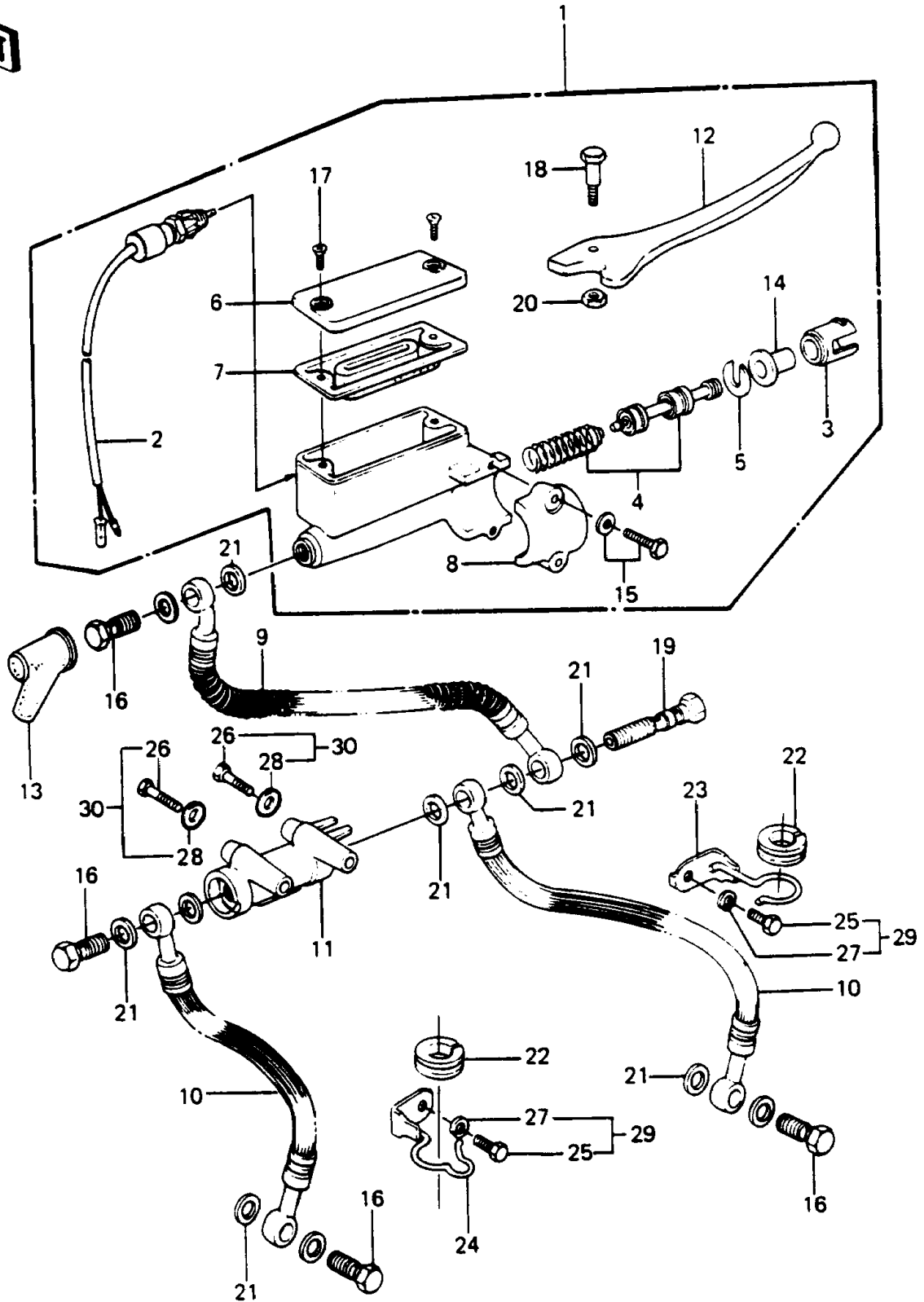


1987 PARTS DIAGRAM

Front Master Cylinder



1987 PARTS LIST

Front Master Cylinder

ITEM NAME	PART NUMBER	QUANTITY
HOSE-BRAKE,FR,L=550 (Ref # 10)	43059-1198	1
JOINT-BRAKE (Ref # 11)	43061-1004	1
LEVER-GRIP,FRONT BRAKE (Ref # 12)	46092-1012	1
BOOT,DUST (Ref # 13)	49006-1041	1
COVER-SEAL,BRAKE PISTON (Ref # 14)	49016-1010	1
BOLT,6X25,W/WASHER (Ref # 15)	43033-003	1
BOLT,OIL,L=23 (Ref # 16)	92001-1900	1
SCREW-CSK-CROS,5X12,BLACK (Ref # 17)	92001-1055	1
BOLT,FR BRAKE LEVER (Ref # 18)	92001-1056	1
BOLT,BANJO,10X37 (Ref # 19)	92001-1203	1
NUT,6MM (Ref # 20)	43032-002	1
WASHER,10.5X15X1.5 (Ref # 21)	43067-001	1
GROMMET,HOSE CLAMP (Ref # 22)	43064-006	1
CLAMP,BRAKE HOSE (Ref # 23)	92037-1218	1
CLAMP,BRAKE HOSE,LH (Ref # 24)	92037-1308	1
BOLT-UPSET (Ref # 25)	112B0612	1
BOLT,6X60 (Ref # 26)	110B0660	1
WASHER-SPRING,6MM (Ref # 27)	461F0600	1
WASHER-PLAIN,6MM (Ref # 28)	411B0600	1
BOLT-UPSET-WS,6X12 (Ref # 29)	180B0612	1
BOLT-UPSET-WP (Ref # 30)	186B0660	1
CYLINDER-ASSY-MASTER,FR (Ref # 1)	43015-1046	1
SWITCH,BRAKE (Ref # 2)	27010-1028	1
LINER,PISTON (Ref # 3)	14008-1007	1
PISTON-COMP-BRAKE,FR (Ref # 4)	43020-1023	1
STOPPER-BRAKE,PISTON (Ref # 5)	43022-1001	1
CAP-BRAKE (Ref # 6)	43026-1006	1
DIAPHRAGM,MASTER CYLINDER (Ref # 7)	43028-1008	1
HOLDER-BRAKE,MASTER CYLINDER (Ref # 8)	43034-1001	1

1987 PARTS LIST

Front Master Cylinder

ITEM NAME	PART NUMBER	QUANTITY
HOSE-BRAKE,FR,L=500,W/SPRING (Ref # 9)	43059-1085	1