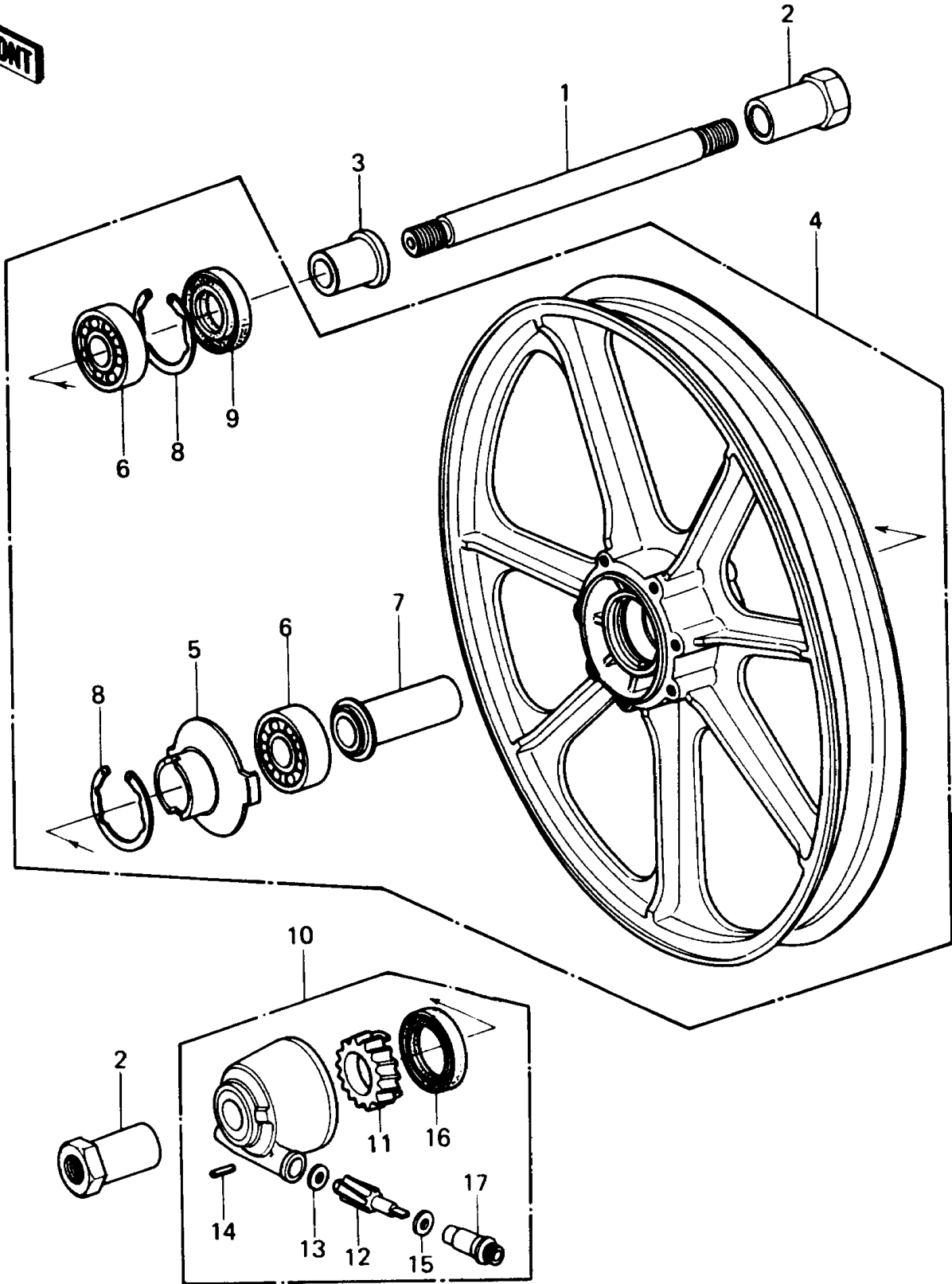


1987 PARTS DIAGRAM

Front Hub



1987 PARTS LIST

Front Hub

ITEM NAME	PART NUMBER	QUANTITY
CASE-ASSY-METER GEAR (Ref # 10)	41078-1013	1
GEAR-METER SCREW,26T (Ref # 11)	41059-026	1
GEAR-METER SCREW,9T (Ref # 12)	41060-1016	1
WASHER,5.1X9X0.4 (Ref # 13)	41063-001	1
PIN,SPRING (Ref # 14)	41082-001	1
WASHER,5.1X10X1 (Ref # 15)	92022-1062	1
SEAL-OIL,BJN30427-C3 (Ref # 16)	92049-1057	1
BUSHING,SPEEDOMETER (Ref # 17)	92087-1002	1
AXLE,FR,L=259 (Ref # 1)	41068-1072	1
COLLAR,FRONT AXLE (Ref # 2)	41069-031	1
COLLAR,L=30 (Ref # 3)	92027-1225	1
WHEEL-ASSY,FR,SOLID,F.BLACK (Ref # 4)	41073-1202-21	1
RECEIVER-SPEEDOMETER (Ref # 5)	41064-1006	1
BEARING-BALL,#6302ZC3 (Ref # 6)	601B6302Z	1
COLLAR,FR HUB,L=80 (Ref # 7)	92027-1437	1
RING-SNAP,42MM (Ref # 8)	92033-1041	1
SEAL-OIL,BJN22425 (Ref # 9)	92049-1058	1