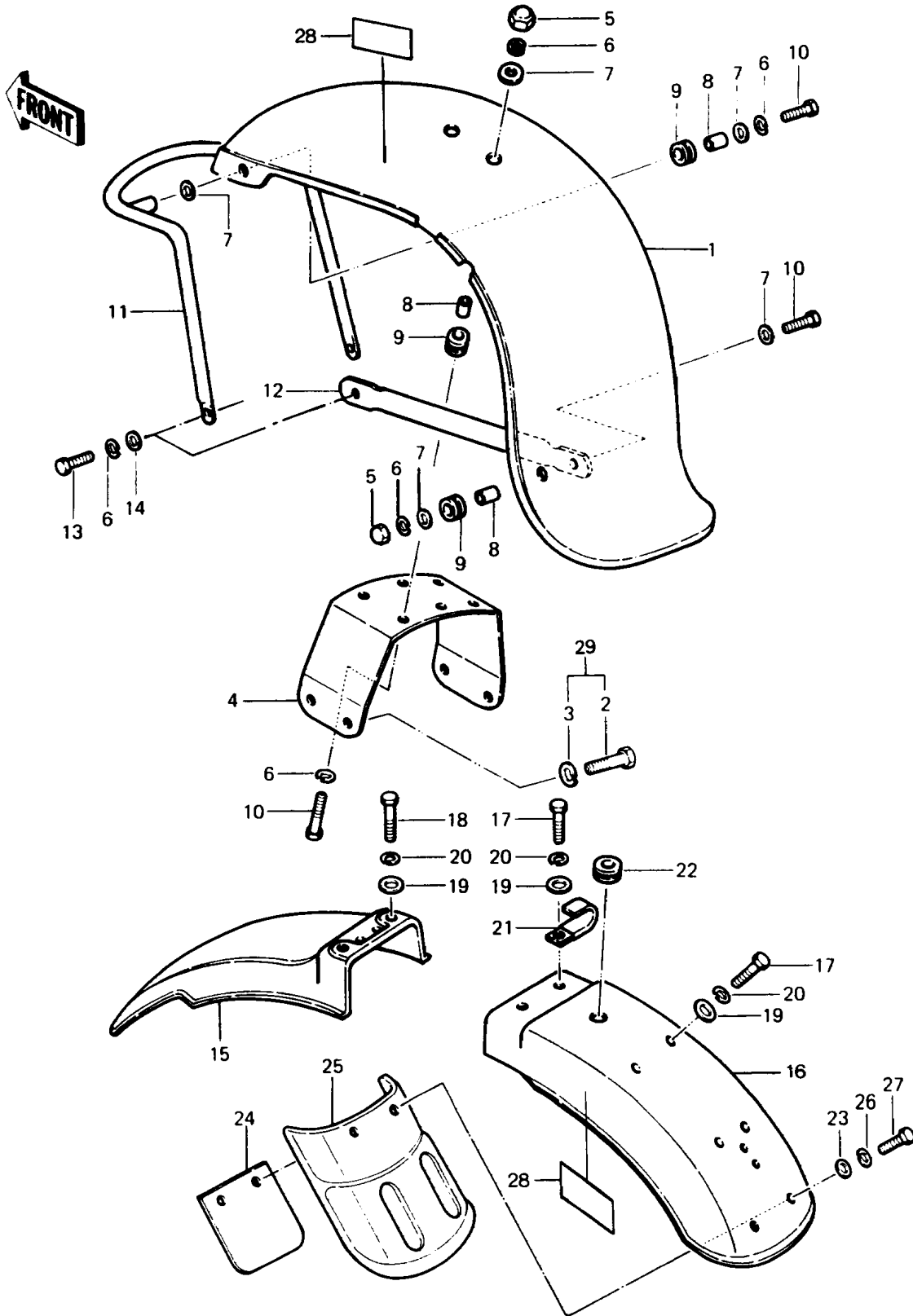


1987 PARTS DIAGRAM

Fender



1987 PARTS LIST

Fender

ITEM NAME	PART NUMBER	QUANTITY
BOLT,6X25 (Ref # 10)	110B0625	1
STAY,FR FENDER,FR (Ref # 11)	35011-4001	1
STAY,FR FENDER,RR (Ref # 12)	35011-4004	1
BOLT,6X14 (Ref # 13)	110B0614	3
WASHER-PLAIN-SMALL,6MM (Ref # 14)	410B0600	1
FENDER-COMP-REAR,FR (Ref # 15)	35022-1071	1
FENDER-COMP-REAR,RR,J.WHITE (Ref # 16)	35022-1099-8C	1
BOLT,6X22 (Ref # 18)	110B0622	1
WASHER-PLAIN,6MM (Ref # 19)	411B0600	2
WASHER-SPRING,6MM (Ref # 20)	461F0600	3
CLAMP,WIRING HARNESS (Ref # 21)	92037-1069	1
GROMMET,13MM (Ref # 22)	92071-099	1
PLATE,FLAP MOUNT (Ref # 24)	13169-4020	1
FLAP,FENDER,RR (Ref # 25)	35019-1005	1
LABEL,TIRE PRESSURE (Ref # 28)	99969-0849	1
BOLT-UPSET-WS-SMALL (Ref # 29)	183B0820	1
FENDER-FRONT,J.WHITE (Ref # 1)	35004-4007-8C	1
BOLT,8X20 (Ref # 2)	110B0820	1
WASHER-SPRING,8MM (Ref # 3)	461F0800	1
BRACE,FR FENDER (Ref # 4)	35009-1001	1
NUT-CAP,6MM (Ref # 5)	322N0600	1
WASHER,6.5X20X1.6,WHITE (Ref # 7)	92022-193	1
COLLAR,6.8X10X10.5 (Ref # 8)	92027-120	1
GROMMET (Ref # 9)	92071-046	1