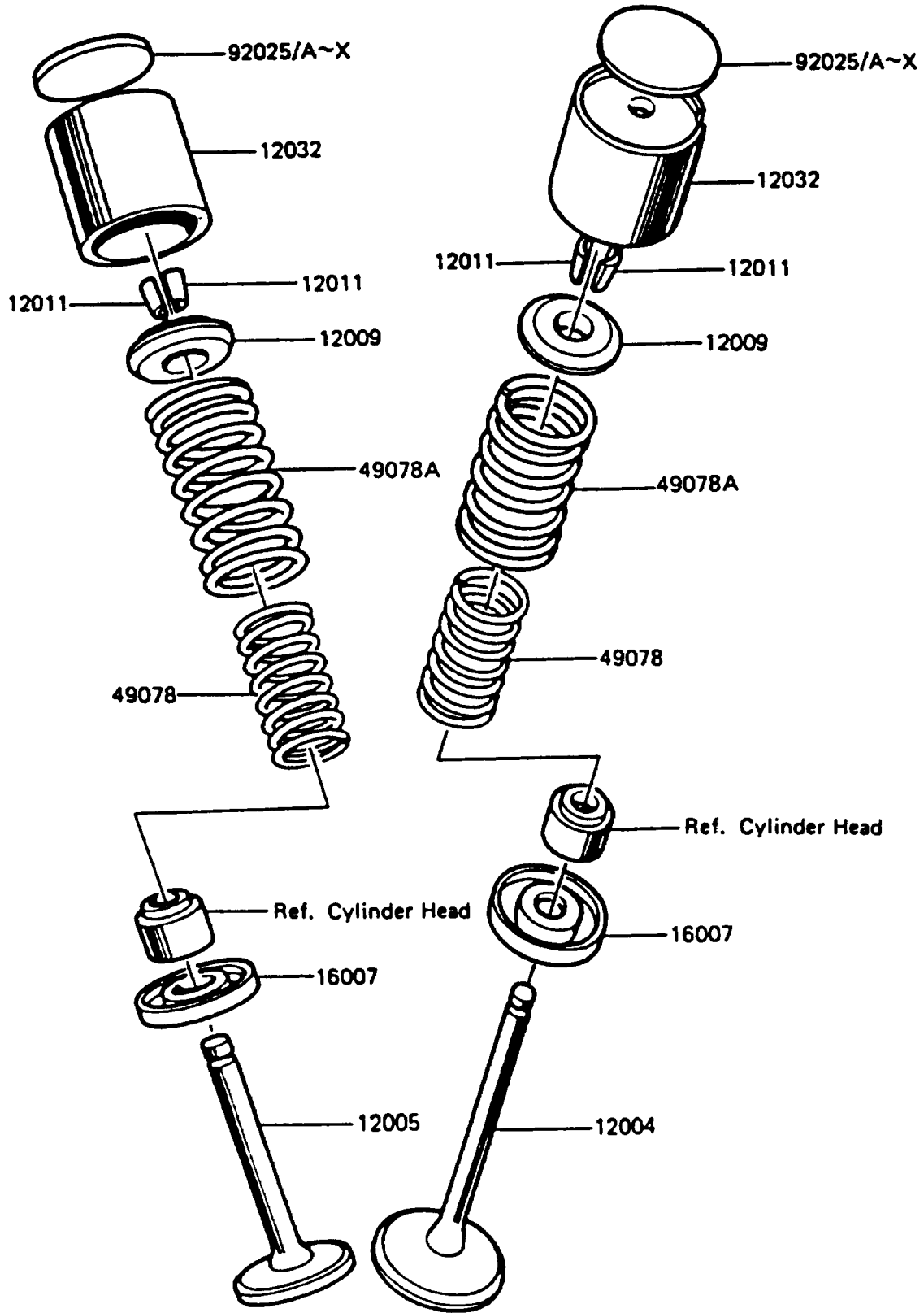


## 1987 PARTS DIAGRAM

Valve



## 1987 PARTS LIST

Valve

ITEM NAME	PART NUMBER	QUANTITY
VALVE-INTAKE (Ref # 12004)	12004-1013	1
VALVE-EXHAUST (Ref # 12005)	12005-1011	1
RETAINER-VALVE SPRING (Ref # 12009)	12009-005	1
COLLET,RETAINER (Ref # 12011)	12011-004	1
TAPPET (Ref # 12032)	12032-1002	1
SEAT-SPRING,VALVE (Ref # 16007)	16007-1024	1
SPRING-ENGINE VALVE,INNER (Ref # 49078)	49078-1001	1
SPRING-ENGINE VALVE,OUTER (Ref # 49078A)	49078-1002	1
SHIM,T=2.00 (Ref # 92025)	12037-001	1
SHIM,T=2.05 (Ref # 92025A)	12037-002	1
SHIM,T=2.10 (Ref # 92025B)	12037-003	1
SHIM,T=2.15 (Ref # 92025C)	12037-004	1
SHIM,T=2.20 (Ref # 92025D)	12037-005	1
SHIM,T=2.25 (Ref # 92025E)	12037-006	1
SHIM,T=2.30 (Ref # 92025F)	12037-007	1
SHIM,T=2.35 (Ref # 92025G)	12037-008	1
SHIM,T=2.40 (Ref # 92025H)	12037-009	1
SHIM,T=2.45 (Ref # 92025I)	12037-010	1
SHIM,T=2.50 (Ref # 92025J)	12037-011	1
SHIM,T=2.55 (Ref # 92025K)	12037-012	1
SHIM,T=2.60 (Ref # 92025L)	12037-013	1
SHIM,T=2.65 (Ref # 92025M)	12037-014	1
SHIM,T=2.70 (Ref # 92025N)	12037-015	1
SHIM,T=2.75 (Ref # 92025O)	12037-016	1
SHIM,T=2.80 (Ref # 92025P)	12037-017	1
SHIM,T=2.85 (Ref # 92025Q)	12037-018	1
SHIM,T=2.90 (Ref # 92025R)	12037-019	1
SHIM,T=2.95 (Ref # 92025S)	12037-020	1
SHIM,T=3.00 (Ref # 92025T)	12037-021	1

## 1987 PARTS LIST

Valve

ITEM NAME	PART NUMBER	QUANTITY
SHIM,T=3.05 (Ref # 92025U)	12037-022	1
SHIM,T=3.10 (Ref # 92025V)	12037-023	1
SHIM,T=3.15 (Ref # 92025W)	12037-024	1
SHIM,T=3.20 (Ref # 92025X)	12037-025	1