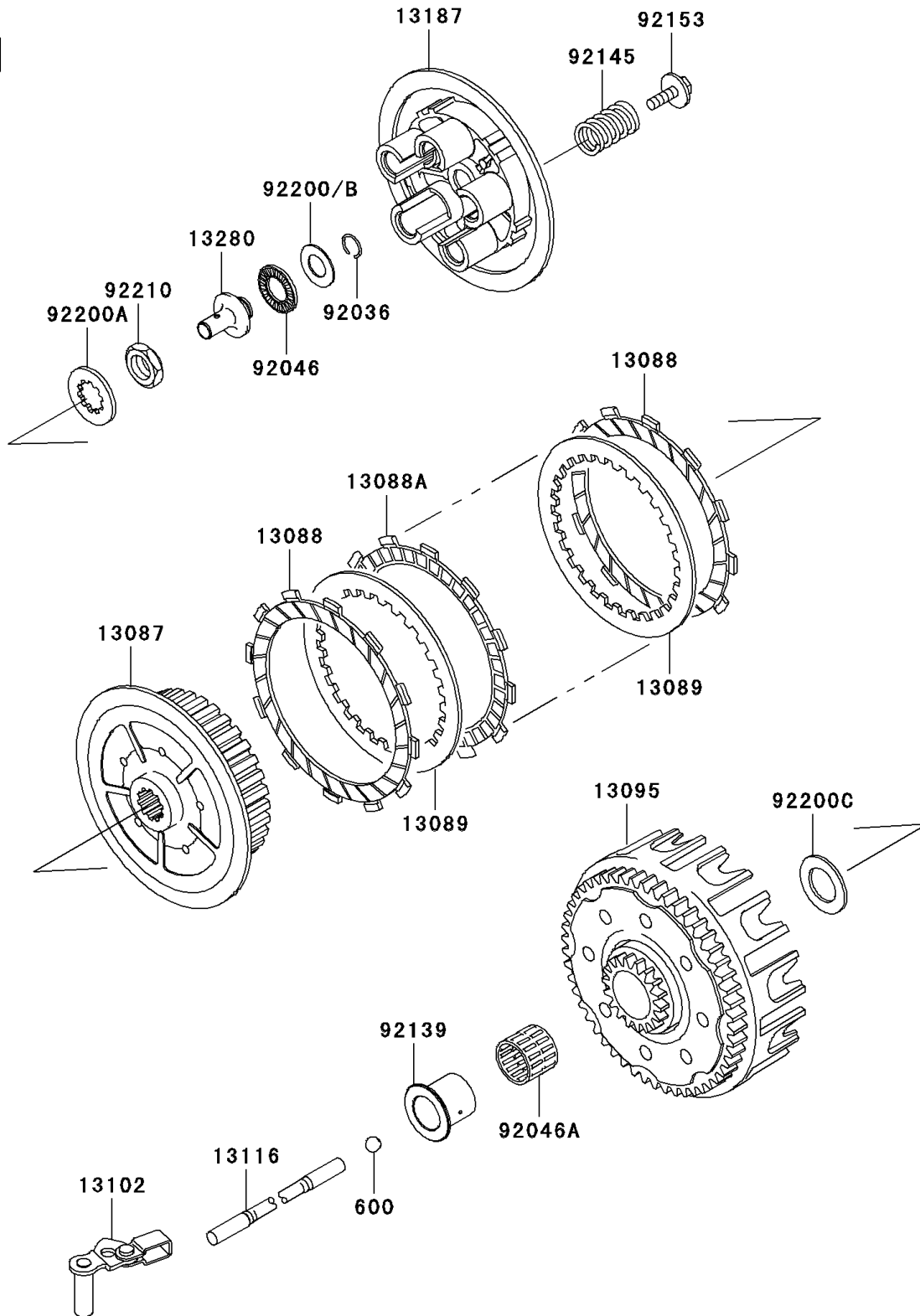


## 2005 KX™125 PARTS DIAGRAM

Clutch

E1350



## 2005 KX™125 PARTS LIST

### Clutch

ITEM NAME	PART NUMBER	QUANTITY
BALL-STEEL,5/16" (Ref # 600)	600A1000	1
HUB-CLUTCH (Ref # 13087)	13087-0016	1
PLATE-FRICTION (Ref # 13088)	13088-1057	1
PLATE-FRICTION (Ref # 13088A)	13088-1102	1
PLATE-CLUTCH,T=1.6 (Ref # 13089)	13089-013	1
HOUSING-COMP-CLUTCH (Ref # 13095)	13095-1412	1
RELEASE-COMP-CLUTCH (Ref # 13102)	13102-0003	1
ROD-PUSH (Ref # 13116)	13116-1171	1
PLATE-CLUTCH OPERATING (Ref # 13187)	13187-1089	1
HOLDER (Ref # 13280)	13280-1266	1
RING-SNAP,PISTON PIN (Ref # 92036)	92036-007	1
BEARING-NEEDLE,FNTA-1326 (Ref # 92046)	92046-1190	1
BEARING-NEEDLE (Ref # 92046A)	92046-1299	1
BUSHING (Ref # 92139)	92139-1077	1
SPRING (Ref # 92145)	92145-1487	1
BOLT,6X25 (Ref # 92153)	92153-1123	1
WASHER,13.4X25X1.0 (Ref # 92200)	92200-0045	1
WASHER (Ref # 92200A)	92200-1178	1
WASHER,13.4X25.0X1.5 (Ref # 92200B)	92200-1548	1
WASHER (Ref # 92200C)	92200-1621	1
NUT,18MM (Ref # 92210)	92210-0142	1