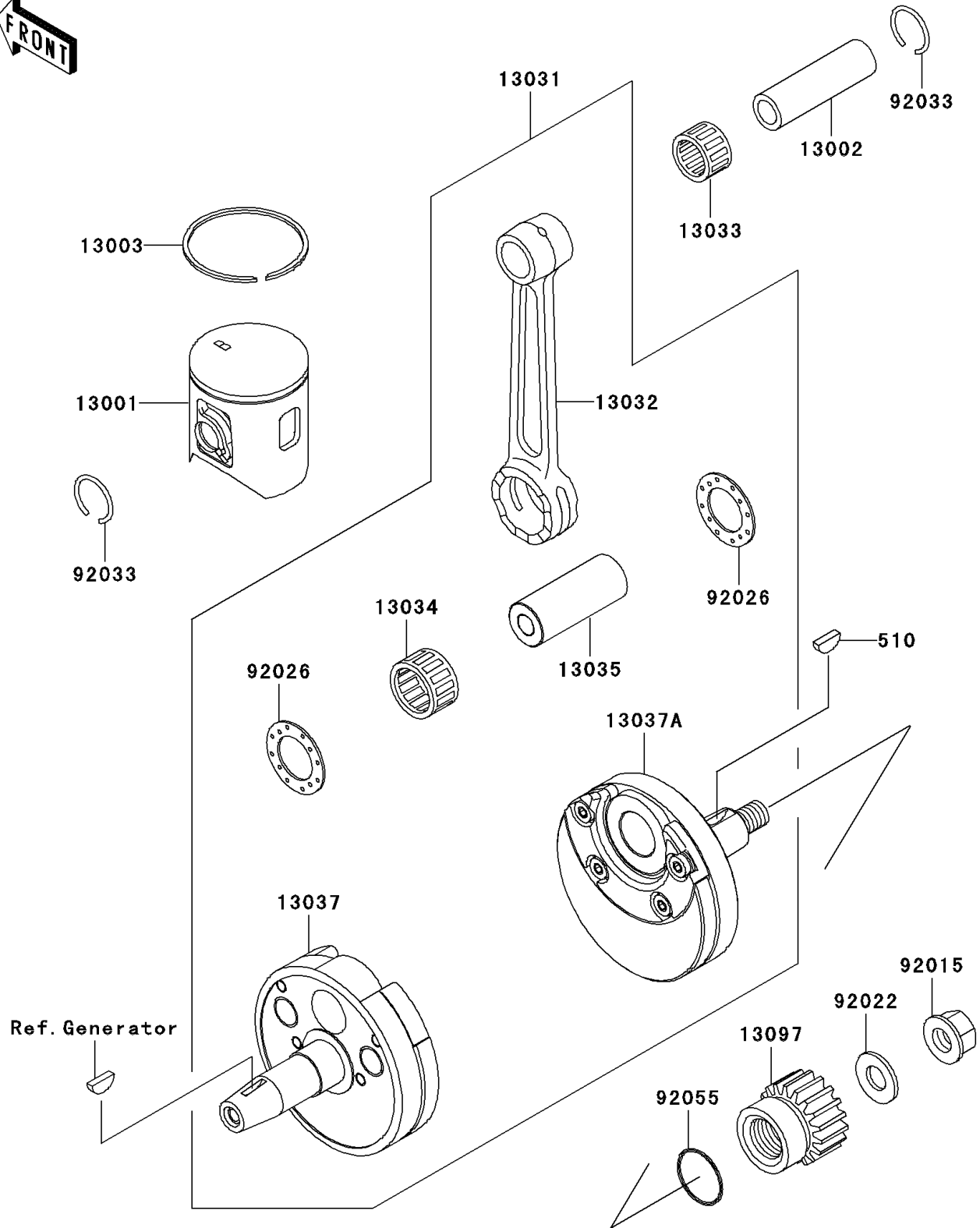


2005 KX™ 125 PARTS DIAGRAM

Crankshaft/Piston(s)



E1320



2005 KX™125 PARTS LIST

Crankshaft/Piston(s)

ITEM NAME	PART NUMBER	QUANTITY
KEY-WOODRUFF (Ref # 510)	510A5100	1
PISTON-ENGINE,SIZE B (Ref # 13001)	13001-0009	1
PIN-PISTON (Ref # 13002)	13002-1099	1
RING-PISTON TOP (Ref # 13003)	13003-0020	1
CRANKSHAFT-COMP (Ref # 13031)	13031-0017	1
ROD-CONNECTING (Ref # 13032)	13032-0010	1
BEARING-SMALL END (Ref # 13033)	13033-1057	1
BEARING-BIG END,B4 (Ref # 13034)	13034-1099	1
PIN-CRANK (Ref # 13035)	13035-1096	1
CRANKSHAFT,LH (Ref # 13037)	13037-0017	1
CRANKSHAFT,RH (Ref # 13037A)	13037-0018	1
GEAR-PRIMARY SPUR (Ref # 13097)	13097-0007	1
NUT,FLANGED,12MM (Ref # 92015)	92015-1156	1
WASHER (Ref # 92022)	92022-1831	1
SPACER (Ref # 92026)	92026-1546	1
RING-SNAP (Ref # 92033)	92033-1335	1
RING-O (Ref # 92055)	92055-086	1