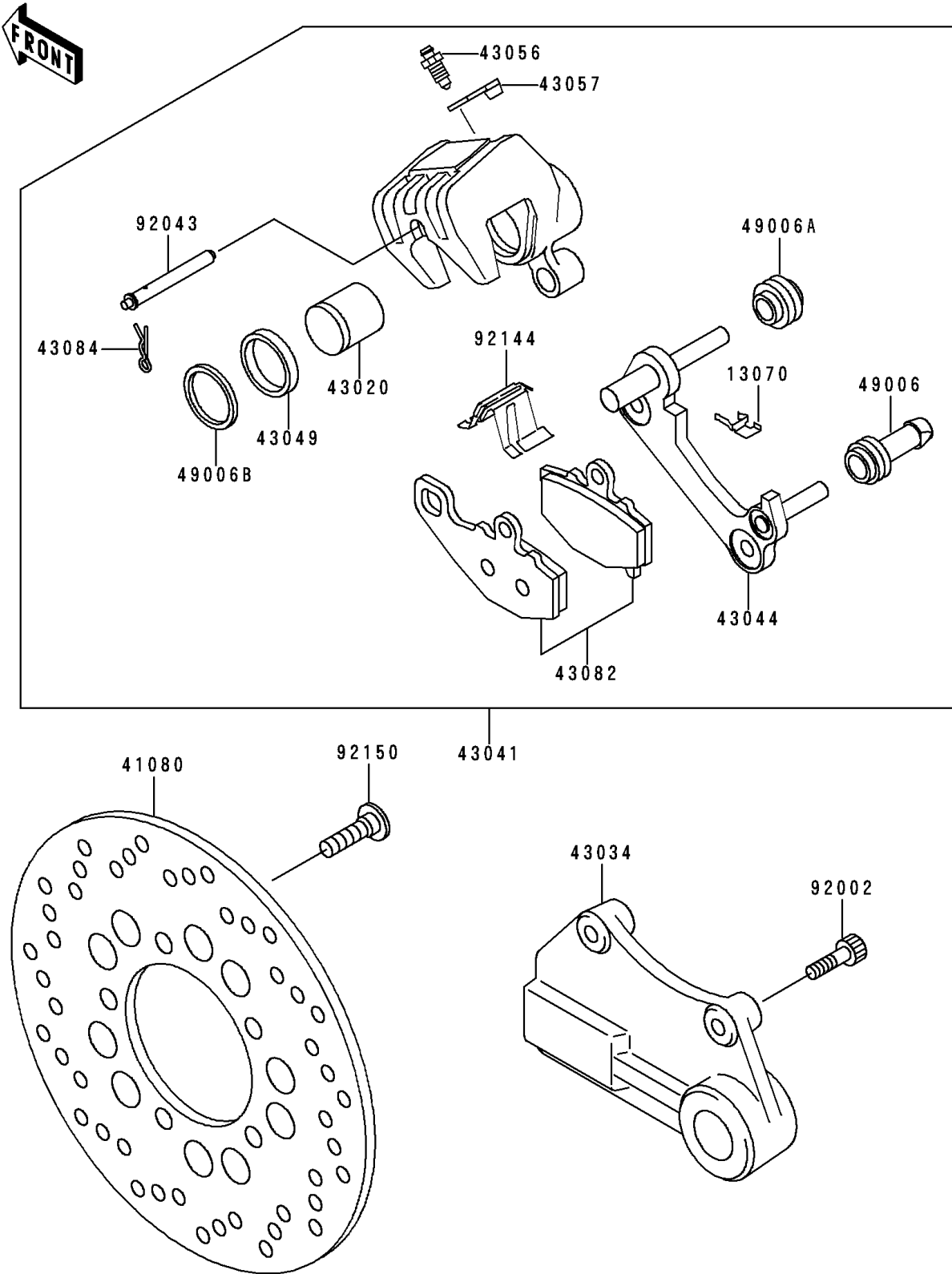


1997 NINJA® ZX™-9R PARTS DIAGRAM

Rear Brake

F2294



1997 NINJA® ZX™-9R PARTS LIST

Rear Brake

| ITEM NAME | PART NUMBER | QUANTITY |
|---|---------------|----------|
| GUIDE (Ref # 13070) | 13070-1273 | 1 |
| DISC,RR,C.GRAY (Ref # 41080) | 41080-1242-FB | 1 |
| PISTON-COMP-BRAKE (Ref # 43020) | 43020-1116 | 1 |
| HOLDER-BRAKE,REAR CALIPER (Ref # 43034) | 43034-1130 | 1 |
| CALIPER-ASSY,RR (Ref # 43041) | 43041-1623 | 1 |
| HOLDER-COMP-CALIPER,RR (Ref # 43044) | 43044-1110 | 1 |
| PACKING,PISTON SEAL (Ref # 43049) | 43049-001 | 1 |
| BREATHER-BRAKE (Ref # 43056) | 43056-1054 | 1 |
| CAP-BREATHER (Ref # 43057) | 43057-003 | 1 |
| PAD-ASSY-BRAKE (Ref # 43082) | 43082-1160 | 1 |
| CLAMP,PAD (Ref # 43084) | 43084-003 | 1 |
| BOOT,CALIPER (Ref # 49006) | 49006-1054 | 1 |
| BOOT,CALIPER (Ref # 49006A) | 49006-1095 | 1 |
| BOOT,PISTON SEAL (Ref # 49006B) | 49006-1212 | 1 |
| BOLT,SOCKET,8X20 (Ref # 92002) | 92002-1178 | 1 |
| PIN,PAD (Ref # 92043) | 92043-1489 | 1 |
| SPRING,PAD (Ref # 92144) | 92144-1719 | 1 |
| BOLT,DISC PLATE,8X30 (Ref # 92150) | 92150-1728 | 1 |