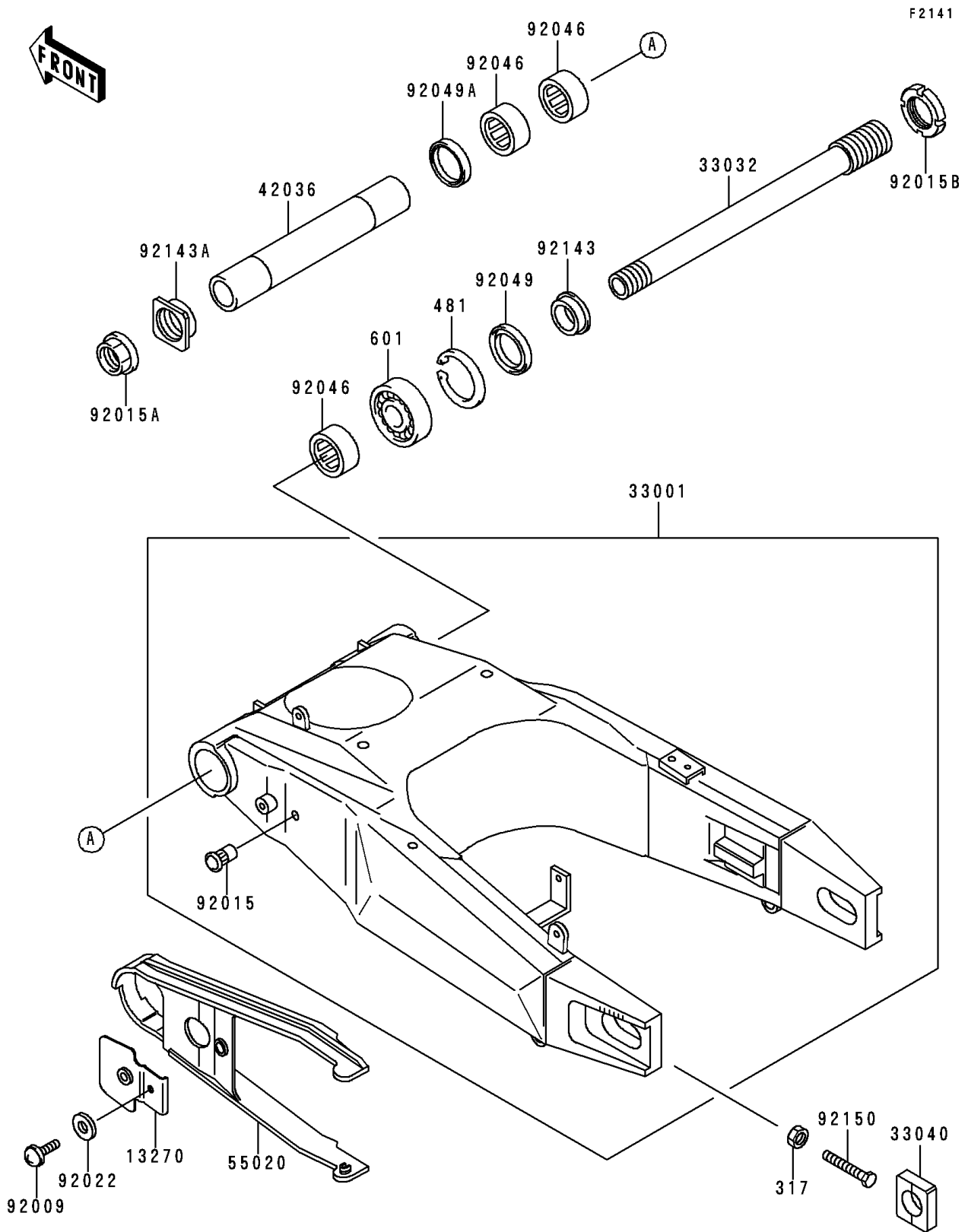


1997 NINJA® ZX™-9R PARTS DIAGRAM

Swingarm



1997 NINJA® ZX™-9R PARTS LIST

Swingarm

| ITEM NAME | PART NUMBER | QUANTITY |
|---|---------------|----------|
| NUT-HEX-SMALL,8MM (Ref # 317) | 317G0800 | 1 |
| CIRCLIP-TYPE-C,47MM (Ref # 481) | 481J4700 | 1 |
| BEARING-BALL,#6005U (Ref # 601) | 601B6005U | 1 |
| PLATE,CHAIN GUARD (Ref # 13270) | 13270-1662 | 1 |
| ARM-COMP-SWING,G.GRAY (Ref # 33001) | 33001-1502-GD | 1 |
| SHAFT-SWING ARM (Ref # 33032) | 33032-1173 | 1 |
| ADJUSTER-CHAIN (Ref # 33040) | 33040-1114 | 1 |
| SLEEVE,SWING ARM,L=224.5 (Ref # 42036) | 42036-1312 | 1 |
| GUARD,CHAIN (Ref # 55020) | 55020-1577 | 1 |
| SCREW,6X18 (Ref # 92009) | 92009-1663 | 1 |
| NUT,POP,6MM,L=16.5 (Ref # 92015) | 92015-1792 | 1 |
| NUT,FLANGED,25MM (Ref # 92015A) | 92015-1845 | 1 |
| NUT,FRAME PIVOT,32MM (Ref # 92015B) | 92015-1930 | 1 |
| WASHER,6.5X16X1 (Ref # 92022) | 92022-1143 | 1 |
| BEARING-NEEDLE,BM3520 (Ref # 92046) | 92046-1205 | 1 |
| SEAL-OIL,MHA 35 47 5 (Ref # 92049) | 92049-1381 | 1 |
| SEAL-OIL,KC 38 45 6 (Ref # 92049A) | 92049-1419 | 1 |
| COLLAR,SWING ARM,RH,L=12.5 (Ref # 92143) | 92143-1481 | 1 |
| COLLAR,SWING ARM,LH,L=15.5 (Ref # 92143A) | 92143-1681 | 1 |
| BOLT,8X55 (Ref # 92150) | 92150-1350 | 1 |