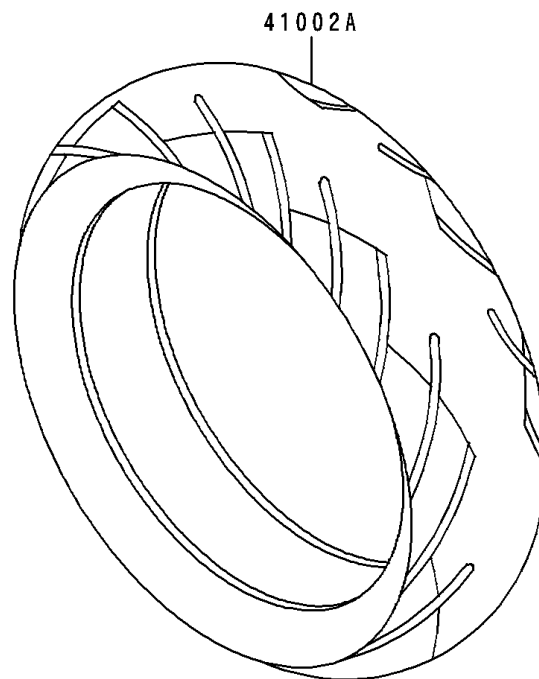
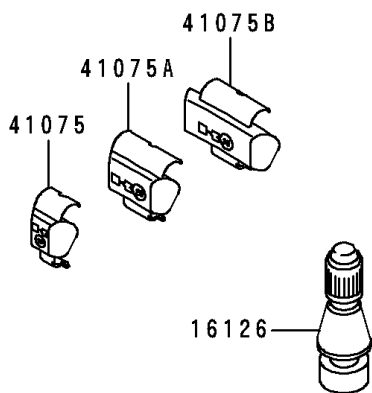
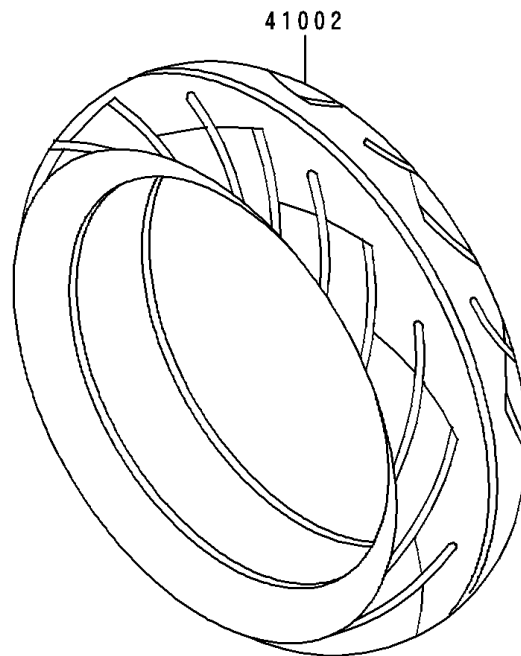
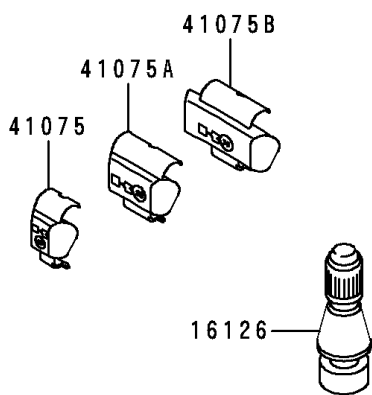


1994 NINJA® ZX™-9R PARTS DIAGRAM

Tires

F2210



1994 NINJA® ZX™-9R PARTS LIST

Tires

ITEM NAME	PART NUMBER	QUANTITY
VALVE,TIRE (Ref # 16126)	16126-1140	1
TIRE,FR,120/70ZR17,BT-50F(BS) (Ref # 41002)	41002-1962	1
TIRE,RR,180/55ZR17,BT-50RJ(BS) (Ref # 41002A)	41002-1963	1
BALANCER-WHEEL,10G,SILVER (Ref # 41075)	41075-1014	1
BALANCER-WHEEL,20G,SILVER (Ref # 41075A)	41075-1015	1
BALANCER-WHEEL,30G,SILVER (Ref # 41075B)	41075-1016	1