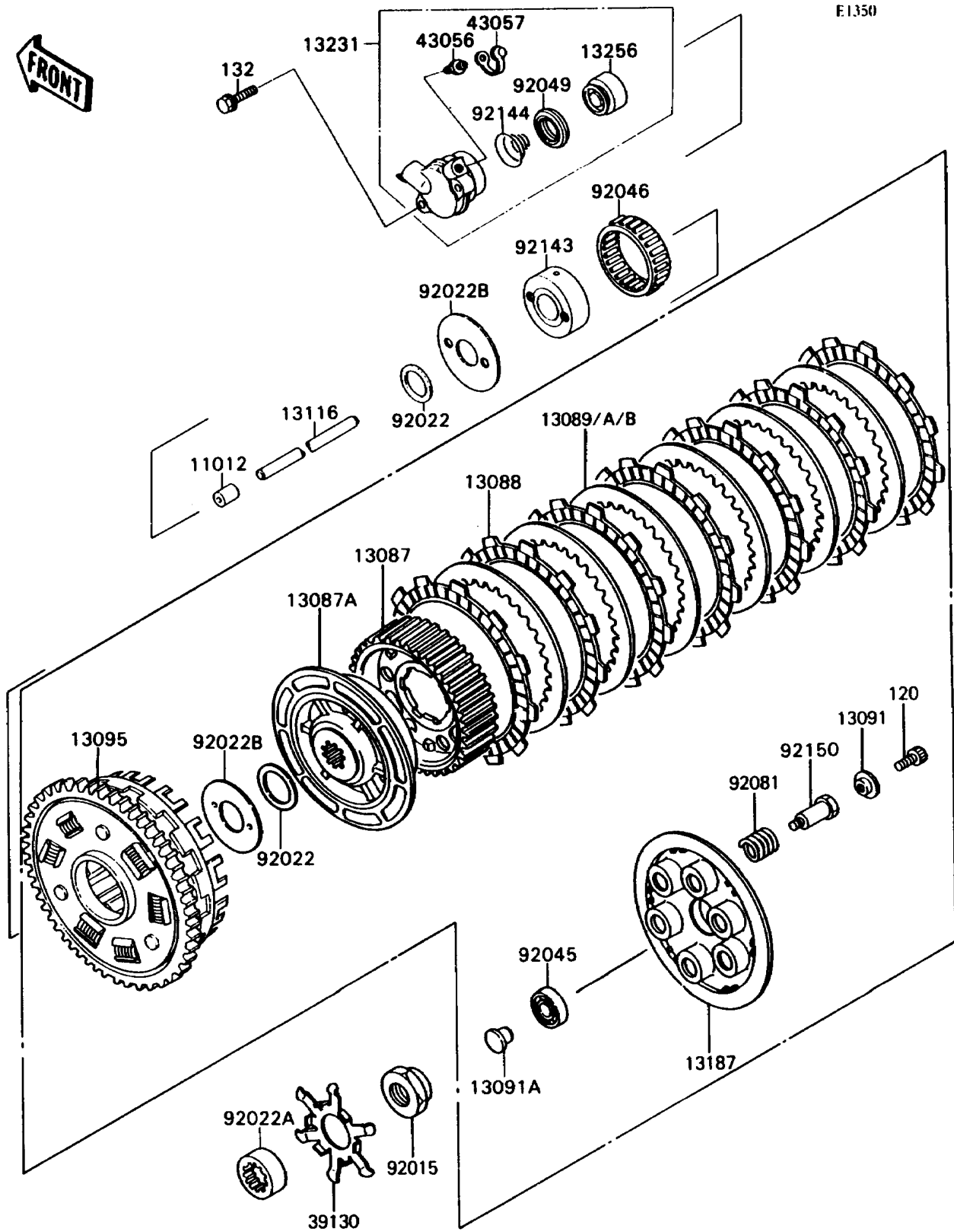


1990 NINJA® ZX™-7 PARTS DIAGRAM

Clutch



1990 NINJA® ZX™-7 PARTS LIST

Clutch

ITEM NAME	PART NUMBER	QUANTITY
CAP,PUSHROD (Ref # 11012)	11012-1569	1
HUB-CLUTCH (Ref # 13087)	13087-1080	1
HUB-CLUTCH (Ref # 13087A)	13087-1117	1
PLATE-FRICTION (Ref # 13088)	13088-040	1
PLATE-CLUTCH,T=2.0 (Ref # 13089)	13089-026	1
PLATE-CLUTCH,T=2.3 (Ref # 13089A)	13089-1004	1
PLATE-CLUTCH,T=2.6 (Ref # 13089B)	13089-1067	1
HOLDER,CLUTCH SPRING (Ref # 13091)	13091-1041	1
HOLDER,CLUTCH PUSH ROD (Ref # 13091A)	13091-1085	1
HOUSING-COMP-CLUTCH (Ref # 13095)	13095-1200	1
ROD-PUSH (Ref # 13116)	13116-1137	1
PLATE-CLUTCH OPERATING (Ref # 13187)	13187-1067	1
RELEASE-ASSY-CLUTCH (Ref # 13231)	13231-1065	1
PISTON (Ref # 13256)	13256-1052	1
SPRING-LEAF (Ref # 39130)	39130-1063	1
BREATHER-BRAKE (Ref # 43056)	43056-1052	1
CAP-BREATHER (Ref # 43057)	43057-1001	1
NUT (Ref # 92015)	92015-1538	1
WASHER (Ref # 92022)	92022-1719	1
WASHER,TOOTHED,21.7X36X15.5 (Ref # 92022A)	92022-1782	1
WASHER,CLUTCH THRUST (Ref # 92022B)	92022-1846	1
BEARING-BALL,6001C3ML01 (Ref # 92045)	92045-1235	1
BEARING-NEEDLE,K55X63X20 (Ref # 92046)	92046-1159	1
SEAL-OIL,PISTON (Ref # 92049)	92049-1165	1
SPRING,CLUTCH (Ref # 92081)	92081-1114	1
COLLAR,INPUTSHAFT (Ref # 92143)	92143-1017	1
SPRING,CLUTCH RELEASE (Ref # 92144)	92144-1084	1
BOLT,CLUTCH (Ref # 92150)	92150-1310	1
BOLT-SOCKET,6X16 (Ref # 120)	120Q0616	1

1990 NINJA® ZX™-7 PARTS LIST

Clutch

ITEM NAME	PART NUMBER	QUANTITY
BOLT-FLANGED-SMALL (Ref # 132)	132J0625	1