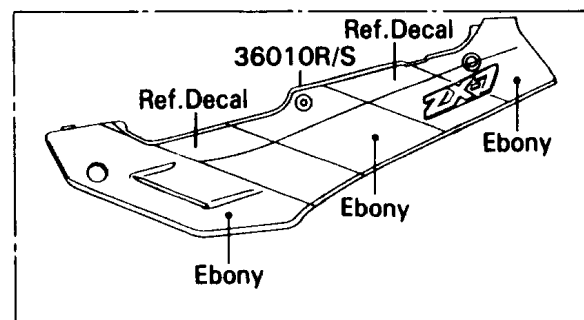
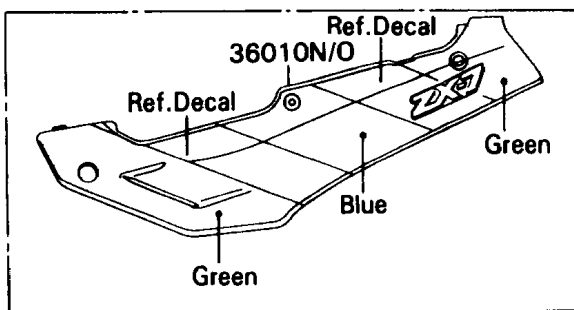
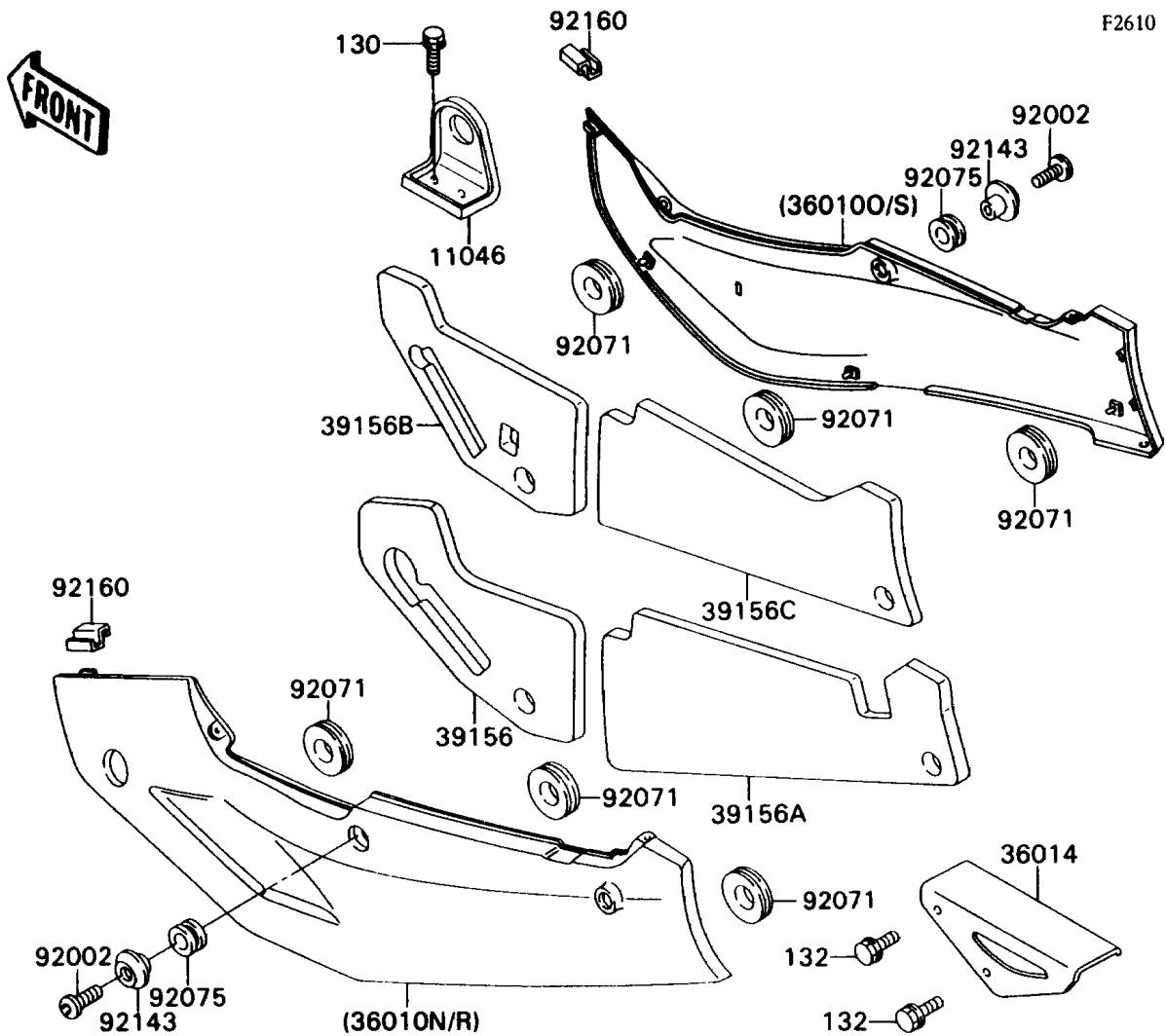


1989 NINJA® ZX™-7 PARTS DIAGRAM

Side Covers/Chain Cover



1989 NINJA® ZX™-7 PARTS LIST

Side Covers/Chain Cover

ITEM NAME	PART NUMBER	QUANTITY
BRACKET,SIDE COVER,RH (Ref # 11046)	11046-1798	1
COVER-SIDE,LH,GREEN/BLUE 24 (Ref # 36010N)	36010-5228-DY	1
COVER-SIDE,RH,GREEN/BLUE 24 (Ref # 360100)	36010-5229-DY	1
COVER-SIDE,LH,EBONY (Ref # 36010R)	36010-5232-H8	1
COVER-SIDE,RH,EBONY (Ref # 36010S)	36010-5233-H8	1
CASE-CHAIN (Ref # 36014)	36014-1155	1
PAD,SIDE COVER,LH,FR (Ref # 39156)	39156-1127	1
PAD,SIDE COVER,LH,RR (Ref # 39156A)	39156-1128	1
PAD,SIDE COVER,RH,FR (Ref # 39156B)	39156-1129	1
PAD,SIDE COVER,RH,RR (Ref # 39156C)	39156-1141	1
BOLT,SOCKET,6X18,BLACK (Ref # 92002)	92002-1514	1
GROMMET (Ref # 92071)	92071-056	1
DAMPER (Ref # 92075)	92075-1634	1
COLLAR,BLACK (Ref # 92143)	92143-1226	1
DAMPER (Ref # 92160)	92160-1085	1
BOLT-FLANGED,6X10 (Ref # 130)	130H0610	1
BOLT-FLANGED-SMALL (Ref # 132)	132E0612	1