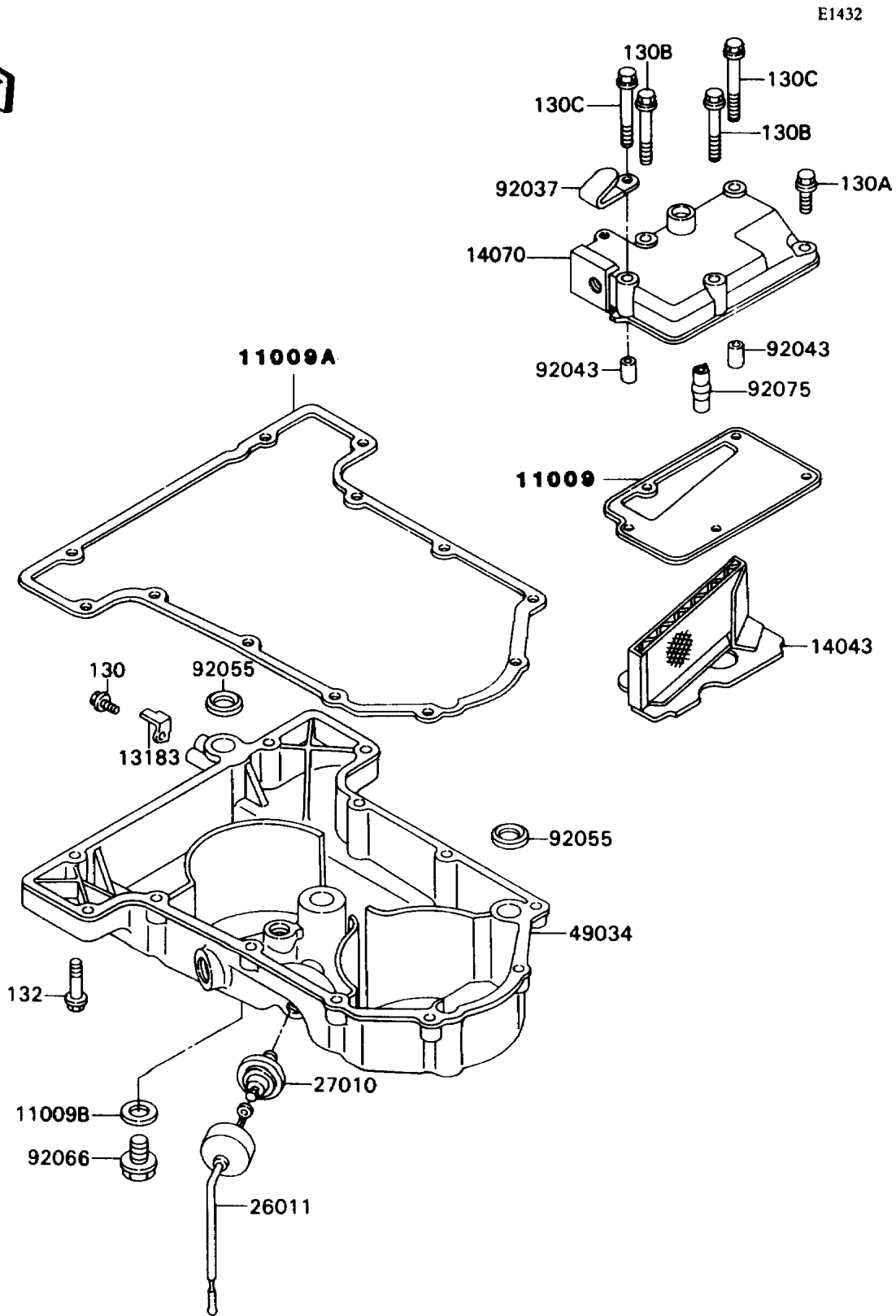


1989 NINJA® ZX™-7 PARTS DIAGRAM

Breather Cover/Oil Pan



1989 NINJA® ZX™-7 PARTS LIST

Breather Cover/Oil Pan

ITEM NAME	PART NUMBER	QUANTITY
GASKET,BREATHER COVER (Ref # 11009)	11009-1604	1
GASKET,OIL PAN (Ref # 11009A)	11009-1903	1
GASKET,12X22X2,DRAIN PLUG (Ref # 11009B)	92065-097	1
PLATE (Ref # 13183)	13183-1475	1
FILTER,BREATHER (Ref # 14043)	14043-1062	1
BODY-BREATHER (Ref # 14070)	14070-1075	1
WIRE-LEAD,OIL PRESSURE (Ref # 26011)	26011-1451	1
SWITCH,OIL PRESSURE (Ref # 27010)	27010-1155	1
PAN-OIL (Ref # 49034)	49034-1076	1
CLAMP,WIRING HARNESS (Ref # 92037)	92037-1877	1
PIN,DOWEL,6.3X8X14 (Ref # 92043)	92042-007	1
RING-O,19.5MM (Ref # 92055)	92055-077	1
PLUG,OIL DRAIN,12X15 (Ref # 92066)	92066-1174	1
DAMPER,BREATHER BODY (Ref # 92075)	92075-1958	1
BOLT-FLANGED,6X14 (Ref # 130)	130H0614	1
BOLT-FLANGED,6X20,BLACK (Ref # 130A)	130S0620	1
BOLT-FLANGED (Ref # 130B)	130S0640	1
BOLT-FLANGED (Ref # 130C)	130S0650	1
BOLT-FLANGED-SMALL (Ref # 132)	132J0625	1