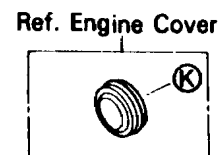
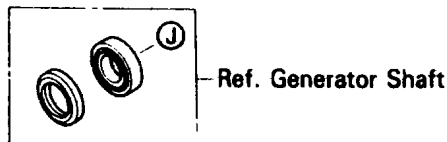
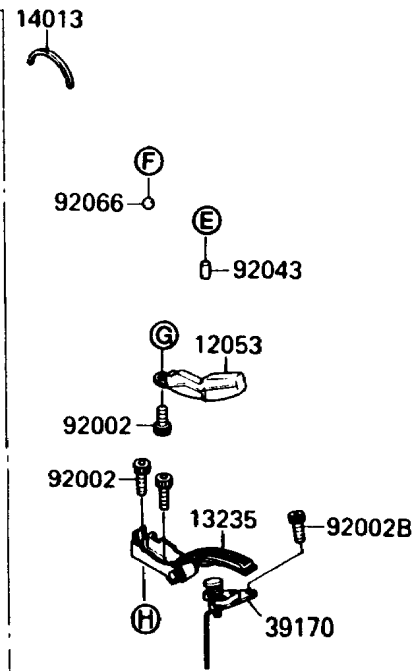
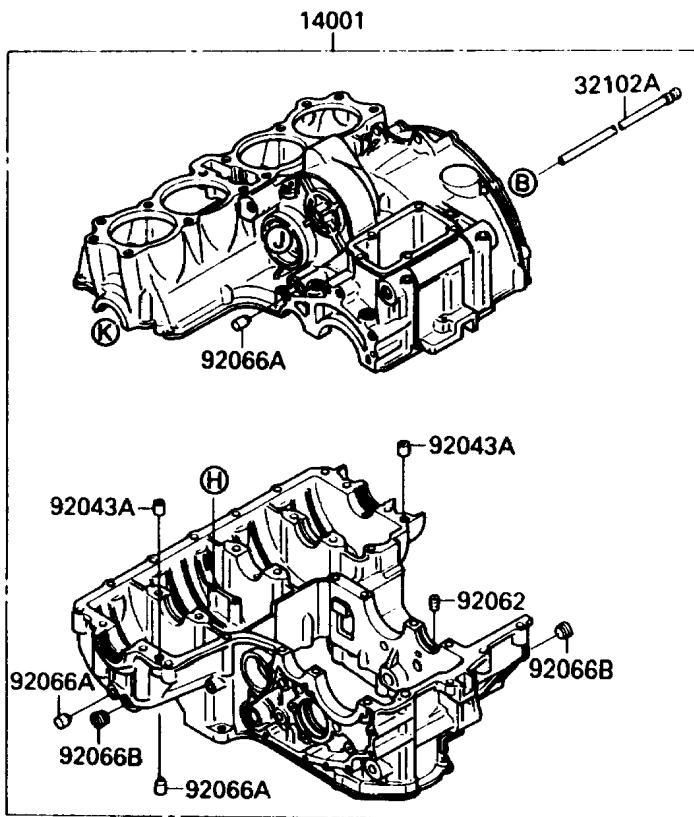
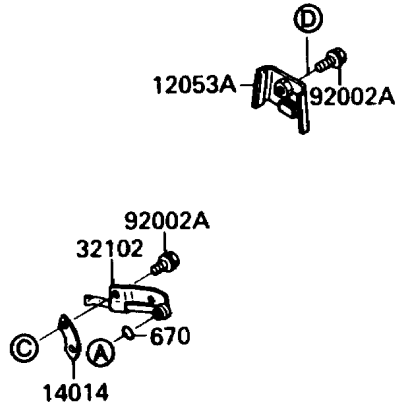
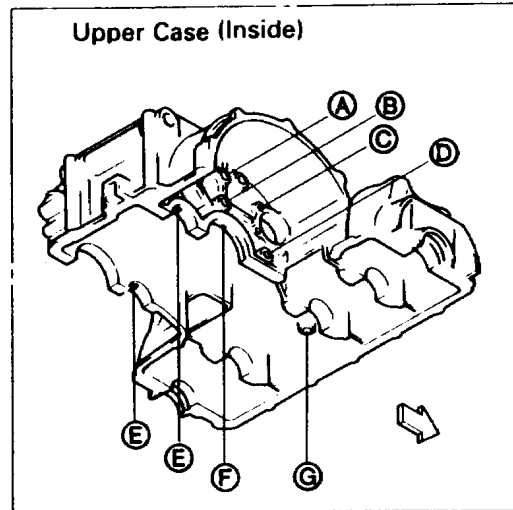


## 1989 NINJA® ZX™-7 PARTS DIAGRAM

Crankcase

E1411



## 1989 NINJA® ZX™-7 PARTS LIST

### Crankcase

ITEM NAME	PART NUMBER	QUANTITY
GUIDE-CHAIN (Ref # 12053)	12053-1197	1
GUIDE-CHAIN (Ref # 12053A)	12053-1199	1
GUIDE-COMP,TENSIONER (Ref # 13235)	13235-1059	1
SET-CRANKCASE (Ref # 14001)	14001-5268	1
RING-POSITION,T=1.98 (Ref # 14013)	14013-1004	1
PLATE-POSITION (Ref # 14014)	14014-1056	1
PIPE,OIL (Ref # 32102)	32102-1237	1
PIPE,MISSION OIL (Ref # 32102A)	32102-1238	1
TENSIONER-COMP (Ref # 39170)	39170-1056	1
BOLT,SOCKET,6X14 (Ref # 92002)	92002-1592	1
BOLT,6X14 (Ref # 92002A)	92002-1656	1
BOLT,SOCKET,6X12 (Ref # 92002B)	92002-1796	1
CLAMP (Ref # 92037)	92037-1802	1
PIN,DOWEL,6X16 (Ref # 92043)	92042-016	1
PIN,DOWEL,10X14 (Ref # 92043A)	92043-1037	1
NOZZLE,SILVER (Ref # 92062)	92062-015	1
PLUG,RUBBER BALL,6.7 (Ref # 92066)	92066-057	1
PLUG,OIL LINE,7.2X8 (Ref # 92066A)	92066-1012	1
PLUG (Ref # 92066B)	92066-1262	1
O RING (Ref # 670)	670D1505	1