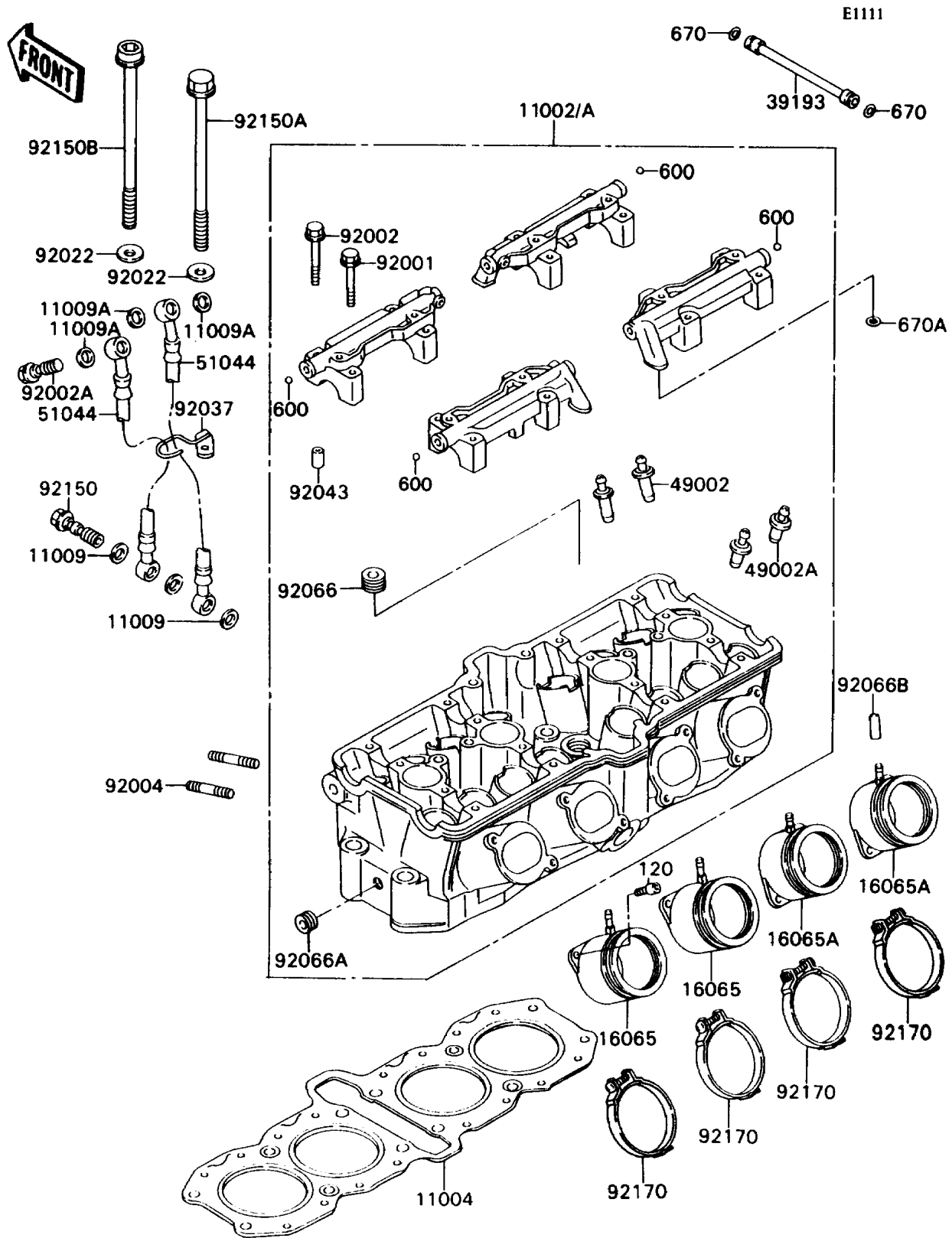


1989 NINJA® ZX™-7 PARTS DIAGRAM

Cylinder Head



1989 NINJA® ZX™-7 PARTS LIST

Cylinder Head

ITEM NAME	PART NUMBER	QUANTITY
HEAD-ASSY-CYLINDER (Ref # 11002)	11002-1254	1
HEAD-ASSY-CYLINDER (Ref # 11002A)	11002-1255	1
GASKET-HEAD (Ref # 11004)	11004-1195	1
GASKET,10X14.5X1.5 (Ref # 11009)	11009-1105	1
GASKET,OIL PIPE,8.2X14X1.0 (Ref # 11009A)	11009-1344	1
HOLDER-CARBURETOR,#1 (Ref # 16065)	16065-1187	1
HOLDER-CARBURETOR,#3 (Ref # 16065A)	16065-1188	1
PIPE-OIL (Ref # 39193)	39193-1002	1
GUIDE-VALVE (Ref # 49002)	49002-1060	1
GUIDE-VALVE (Ref # 49002A)	49002-1097	1
TUBE-ASSY,OIL PAN-HEAD (Ref # 51044)	51044-1101	1
BOLT,FLANGED,6X38 (Ref # 92001)	92001-1105	1
BOLT,6X46 (Ref # 92002)	92001-1872	1
BOLT,BANJO,8X24 (Ref # 92002A)	92002-1858	1
STUD,8X30,BLACK (Ref # 92004)	92004-1101	1
WASHER,10.5X20X1.6 (Ref # 92022)	92022-1591	1
CLAMP (Ref # 92037)	92037-1802	1
PIN,6.2X8X14 (Ref # 92043)	92043-1263	1
PLUG (Ref # 92066)	92066-1253	1
PLUG (Ref # 92066A)	92066-1262	1
PLUG,12X25 (Ref # 92066B)	92068-006	3
BOLT,BANJO,10X37 (Ref # 92150)	92150-1122	1
BOLT,10X148 (Ref # 92150A)	92150-1239	1
BOLT,SOCKET,10X158 (Ref # 92150B)	92150-1240	1
CLAMP (Ref # 92170)	92170-1066	1
BOLT-SOCKET,6X18 (Ref # 120)	120P0618	1
BALL-STEEL,1/4" (Ref # 600)	600A0800	1
O RING (Ref # 670)	670D1505	1
O RING,8MM (Ref # 670A)	670D1508	1