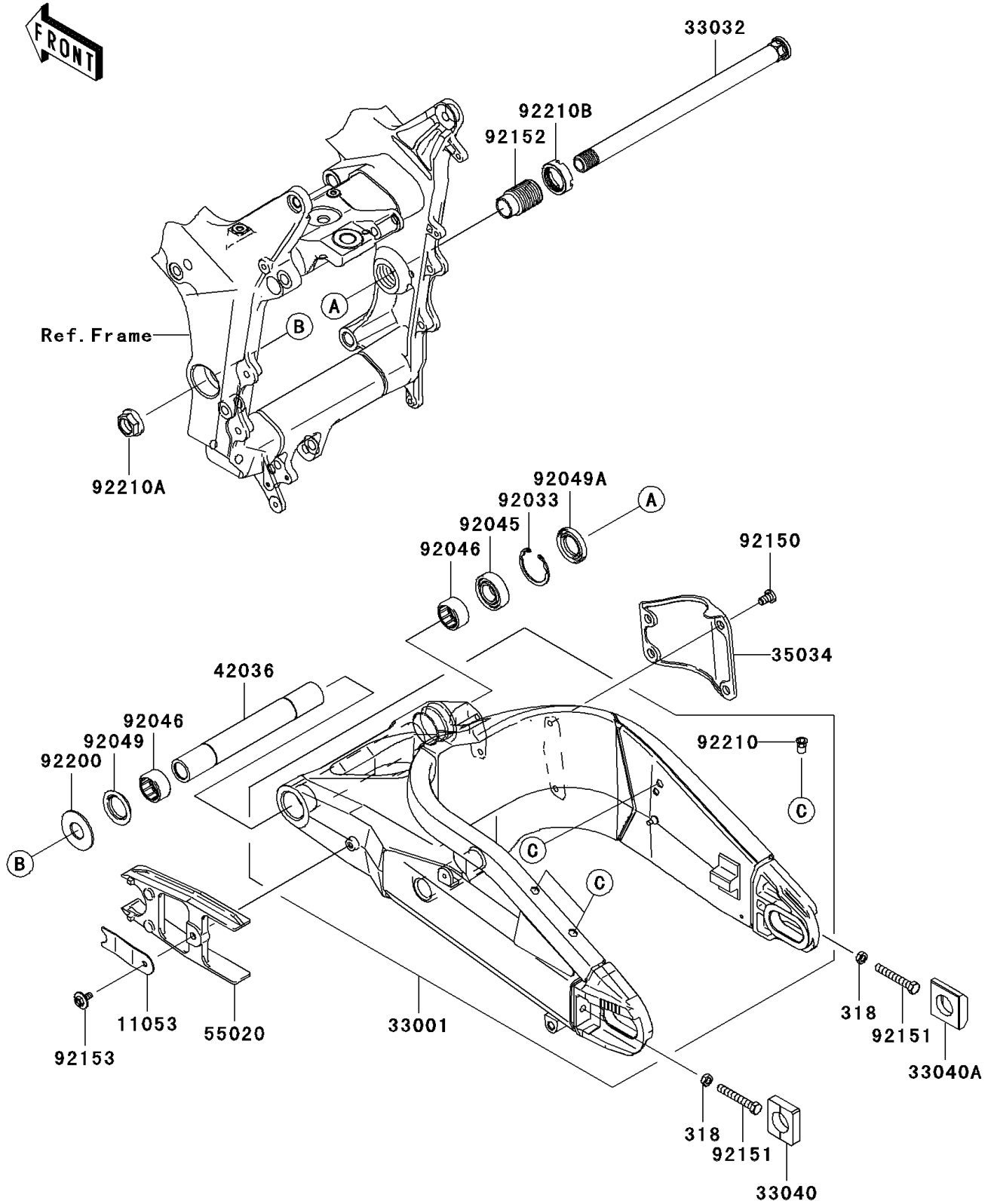


2006 NINJA® ZX™-6R PARTS DIAGRAM

Swingarm

F2141



2006 NINJA® ZX™-6R PARTS LIST

Swingarm

ITEM NAME	PART NUMBER	QUANTITY
NUT-HEX-SMALL,8MM (Ref # 318)	318G0800	1
BRACKET,CHAIN GUARD (Ref # 11053)	11053-1691	1
ARM-COMP-SWING,F.S.BLACK (Ref # 33001)	33001-0043-8F	1
SHAFT-SWING ARM (Ref # 33032)	33032-0010	1
ADJUSTER-CHAIN (Ref # 33040)	33040-1114	1
ADJUSTER-CHAIN,RH (Ref # 33040A)	33040-1180	1
REINFORCE,MUFFLER GUARD,BLACK (Ref # 35034)	35034-0053-8F	1
SLEEVE,SWING ARM,L=213 (Ref # 42036)	42036-1283	1
GUARD,CHAIN (Ref # 55020)	55020-0111	1
RING-SNAP,42MM (Ref # 92033)	92033-1041	1
BEARING-BALL,6004UL11 (Ref # 92045)	92045-0017	1
BEARING-NEEDLE,7E-HVS 28X34X17 (Ref # 92046)	92046-0008	1
SEAL-OIL (Ref # 92049)	92049-1181	1
SEAL-OIL,MHSA25 42 6 (Ref # 92049A)	92049-1314	1
BOLT,8X15 (Ref # 92150)	92150-1852	1
BOLT,8X55 (Ref # 92151)	92151-1578	1
COLLAR,SWING ARM,L=12.5 (Ref # 92152)	92152-0154	1
BOLT,6X16 (Ref # 92153)	92153-1003	1
WASHER,20.3X48X2.3 (Ref # 92200)	92200-1167	1
NUT,6MM (Ref # 92210)	92210-0099	1
NUT,FLANGED,20MM (Ref # 92210A)	92210-0106	1
NUT,30MM (Ref # 92210B)	92210-0134	1