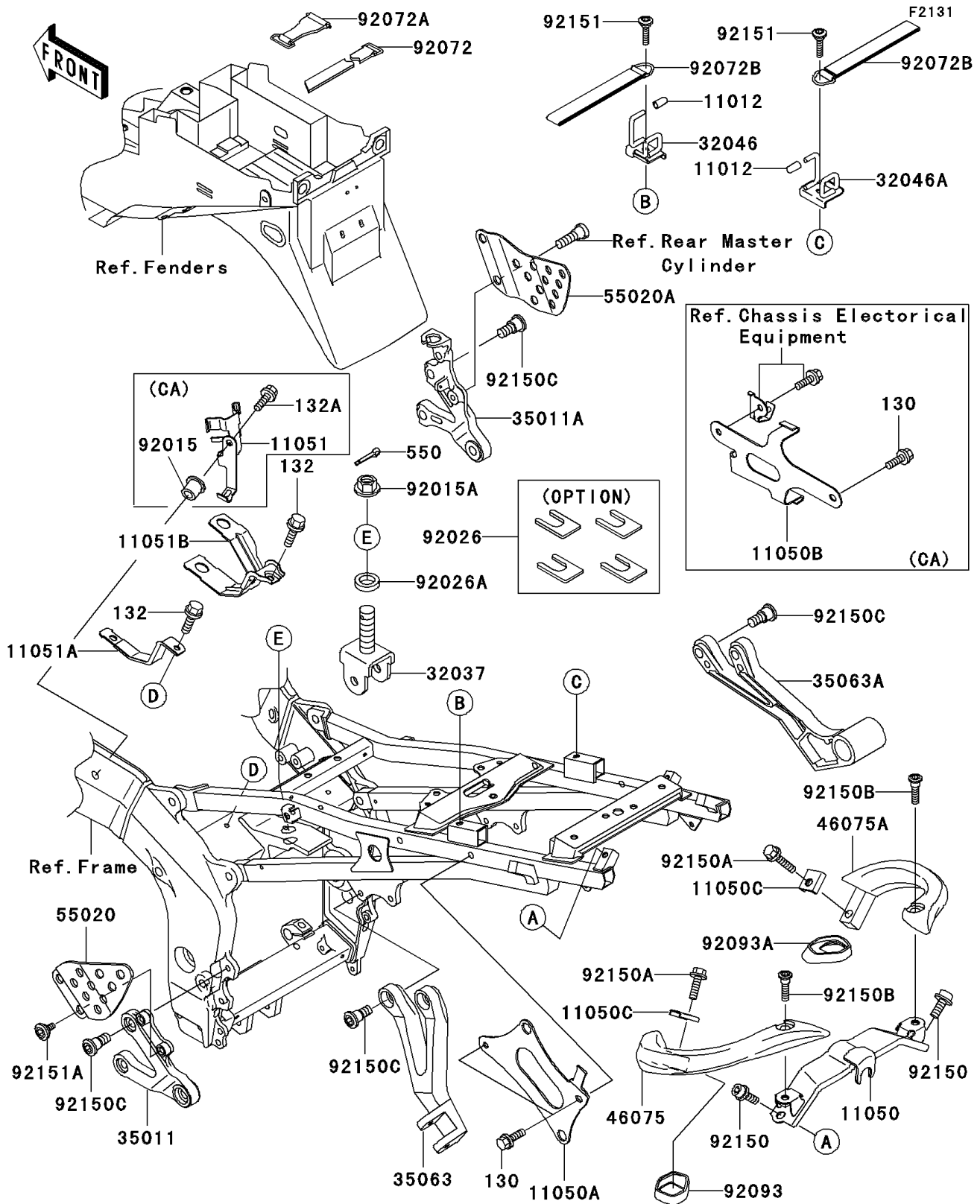


2005 ZZR®600 PARTS DIAGRAM

Frame Fittings



2005 ZZR®600 PARTS LIST

Frame Fittings

| ITEM NAME | PART NUMBER | QUANTITY |
|---|---------------|----------|
| CAP,BUNGEE CORD HOOK (Ref # 11012) | 11012-1589 | 1 |
| BRACKET,TAIL GRIP (Ref # 11050) | 11050-1645 | 1 |
| BRACKET,IGNITER (Ref # 11050A) | 11050-1649 | 1 |
| BRACKET,TAIL GRIP (Ref # 11050C) | 11050-1797 | 1 |
| BRACKET,FUEL PUMP FILTER (Ref # 11051A) | 11051-1509 | 1 |
| BRACKET,FUEL PUMP (Ref # 11051B) | 11051-1911 | 1 |
| BRACKET-SHOCKABSORBER (Ref # 32037) | 32037-1822 | 1 |
| BRACKET-SEAT,RR,LH (Ref # 32046) | 32046-1453 | 1 |
| BRACKET-SEAT,RR,RH (Ref # 32046A) | 32046-1454 | 1 |
| STAY,FR STEP,LH (Ref # 35011) | 35011-1874 | 1 |
| STAY,FR STEP,RH (Ref # 35011A) | 35011-1875 | 1 |
| STAY,RR STEP,LH,SILVER (Ref # 35063) | 35063-0031-TX | 1 |
| STAY,RR STEP,RH,SILVER (Ref # 35063A) | 35063-0032-TX | 1 |
| GRIP,RR,LH,F.BLACK (Ref # 46075) | 46075-1197-21 | 1 |
| GRIP,RR,RH,F.BLACK (Ref # 46075A) | 46075-1198-21 | 1 |
| GUARD,FR STEP STAY,LH (Ref # 55020) | 55020-1627 | 1 |
| GUARD,FR STEP STAY,RH (Ref # 55020A) | 55020-1628 | 1 |
| NUT,FLANGED,16MM (Ref # 92015A) | 92015-1881 | 1 |
| SPACER,SET (Ref # 92026) | 92026-1586 | 1 |
| SPACER,16.5X26X6 (Ref # 92026A) | 92026-1594 | 1 |
| BAND,L=470 (Ref # 92072) | 92072-1331 | 1 |
| BAND,U LOCK (Ref # 92072A) | 92072-1355 | 1 |
| BAND,L=122 (Ref # 92072B) | 92072-1363 | 1 |
| BOLT-FLANGED-SMALL,6X10 (Ref # 132) | 132J0610 | 1 |
| PIN-COTTER,4.0X25 (Ref # 550) | 550D4025 | 1 |
| SEAL,REAR GRIP,LH (Ref # 92093) | 92093-1476 | 1 |
| SEAL,REAR GRIP,RH (Ref # 92093A) | 92093-1477 | 1 |
| BOLT,SOCKET,8X20 (Ref # 92150) | 92150-1155 | 1 |
| BOLT,SOCKET,8X30 (Ref # 92150A) | 92150-1156 | 1 |

2005 ZZR®600 PARTS LIST

Frame Fittings

| ITEM NAME | PART NUMBER | QUANTITY |
|-------------------------------------|-------------|----------|
| BOLT,SOCKET,8X40 (Ref # 92150B) | 92150-1735 | 1 |
| BOLT,SOCKET,8X20 (Ref # 92150C) | 92150-1839 | 1 |
| BOLT,6X28 (Ref # 92151) | 92151-1276 | 1 |
| BOLT,6MM (Ref # 92151A) | 92151-1334 | 1 |
| BRACKET,CANISTER (Ref # 11050B) | 11050-1733 | 1 |
| BRACKET,RETURN PUMP (Ref # 11051) | 11051-1507 | 1 |
| NUT (Ref # 92015) | 92015-1700 | 1 |
| BOLT-FLANGED,6X16,BLACK (Ref # 130) | 130J0616 | 2 |
| BOLT-FLANGED-SMALL (Ref # 132A) | 132J0616 | 1 |