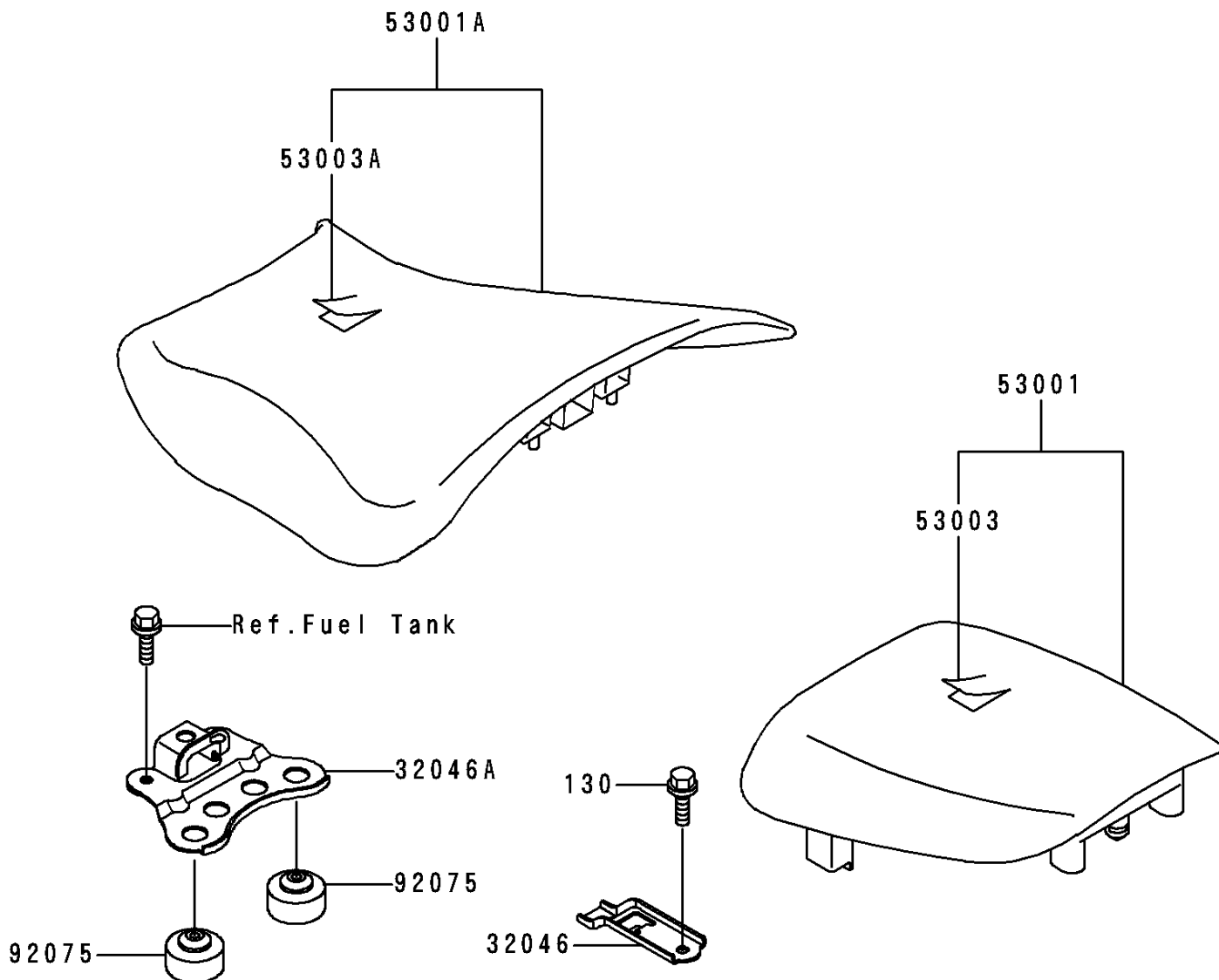


1998 NINJA® ZX™-6R PARTS DIAGRAM

Seat

F 2510



1998 NINJA® ZX™-6R PARTS LIST

Seat

ITEM NAME	PART NUMBER	QUANTITY
BOLT-FLANGED (Ref # 130)	130J0610	1
BRACKET-SEAT,RR (Ref # 32046)	32046-1437	1
BRACKET-SEAT,FR (Ref # 32046A)	32046-1447	1
SEAT-ASSY,RR,BLACK (Ref # 53001)	53001-1866-MA	1
SEAT-ASSY,FR,BLACK (Ref # 53001A)	53001-1871-MA	1
LEATHER,REAR SEAT,BLACK (Ref # 53003)	53003-1407-MA	1
LEATHER,FRONT SEAT,BLACK (Ref # 53003A)	53003-1409-MA	1
DAMPER (Ref # 92075)	92075-1737	1