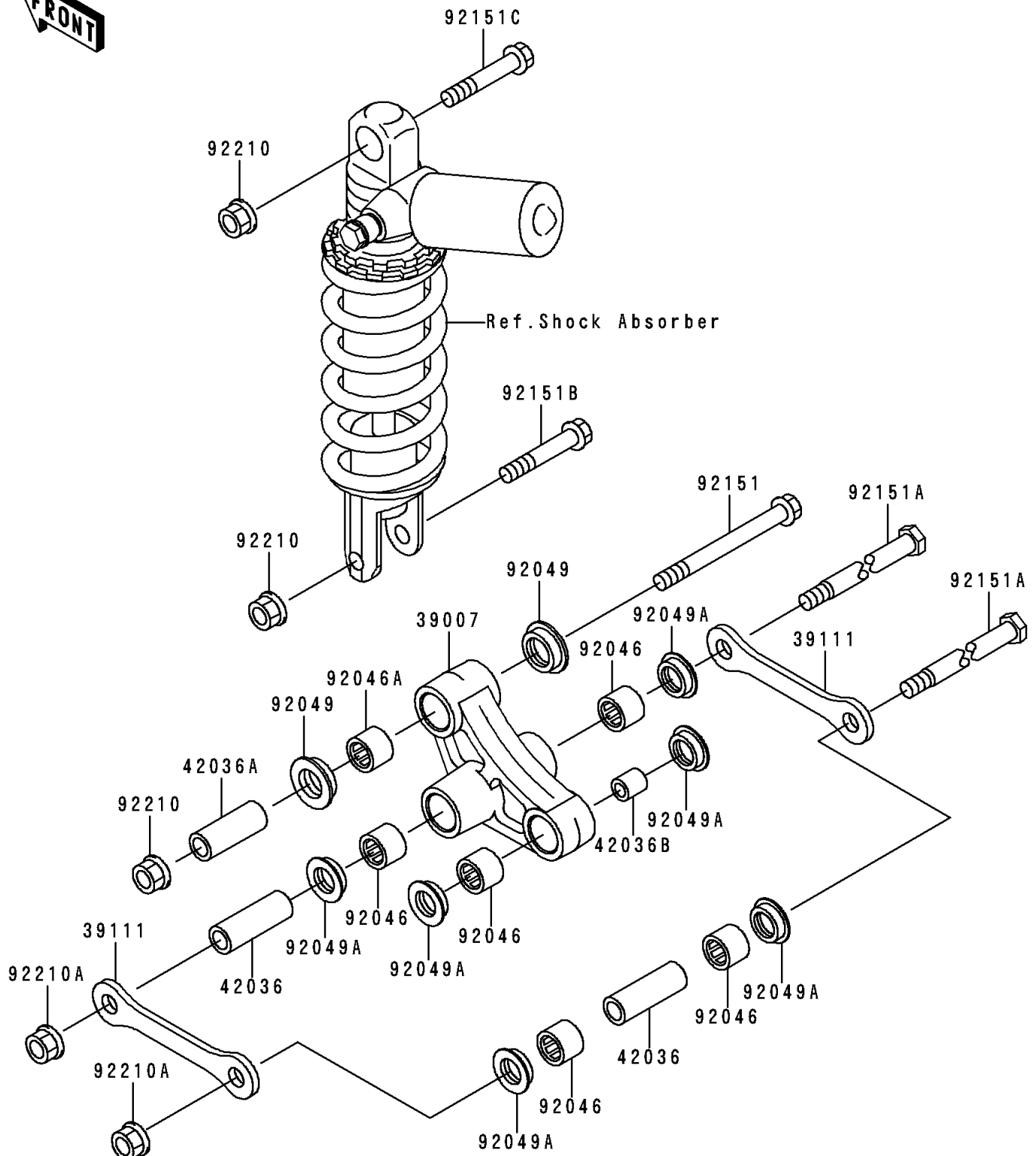


1998 NINJA® ZX™-6R PARTS DIAGRAM

Rear Suspension

F2150



1998 NINJA® ZX™-6R PARTS LIST

Rear Suspension

ITEM NAME	PART NUMBER	QUANTITY
ARM-SUSP,UNI TRAK (Ref # 39007)	39007-1258	1
ROD-TIE,SUSPENSION (Ref # 39111)	39111-1163	1
SLEEVE,12.1X18X88 (Ref # 42036)	42036-1321	1
SLEEVE,10.1X17X44.5 (Ref # 42036A)	42036-1342	1
SLEEVE,10.1X18X32 (Ref # 42036B)	42036-1344	1
BEARING-NEEDLE,18BM2416 (Ref # 92046)	92046-1144	1
BEARING-NEEDLE,BHM1725 (Ref # 92046A)	92046-1258	1
SEAL-OIL,MHA17245.7F (Ref # 92049)	92049-1223	1
SEAL-OIL,KCR MF018N1 (Ref # 92049A)	92049-1493	1
BOLT,FLANGED,10X78 (Ref # 92151)	92151-1242	1
BOLT,12X114 (Ref # 92151A)	92151-1318	1
BOLT,FLANGED,10X50 (Ref # 92151B)	92151-1369	1
BOLT,FLANGED,10X59 (Ref # 92151C)	92151-1370	1
NUT,LOCK,FLANGED,10MM (Ref # 92210)	92210-1139	1
NUT,LOCK,FLANGED,12MM (Ref # 92210A)	92210-1150	1