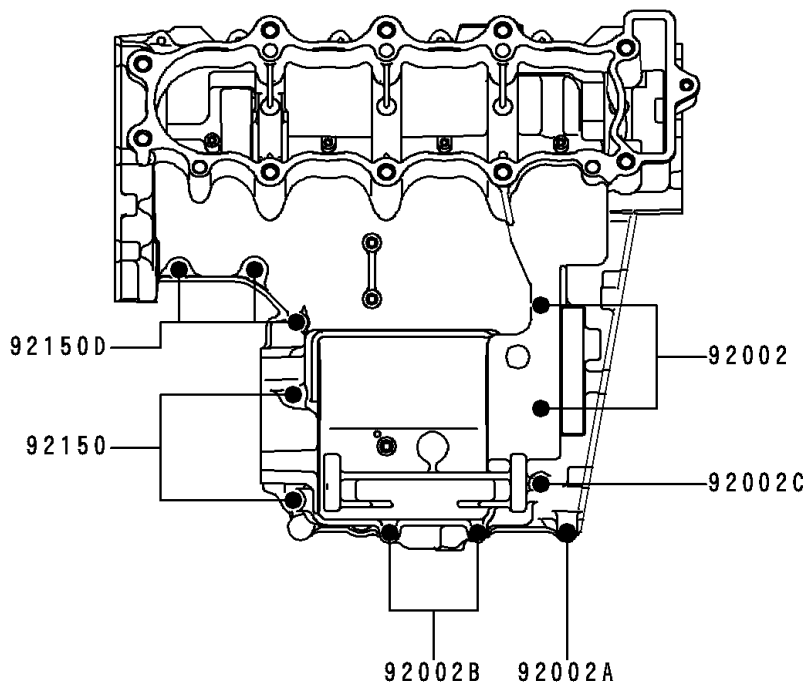


1998 NINJA® ZX™-6R PARTS DIAGRAM

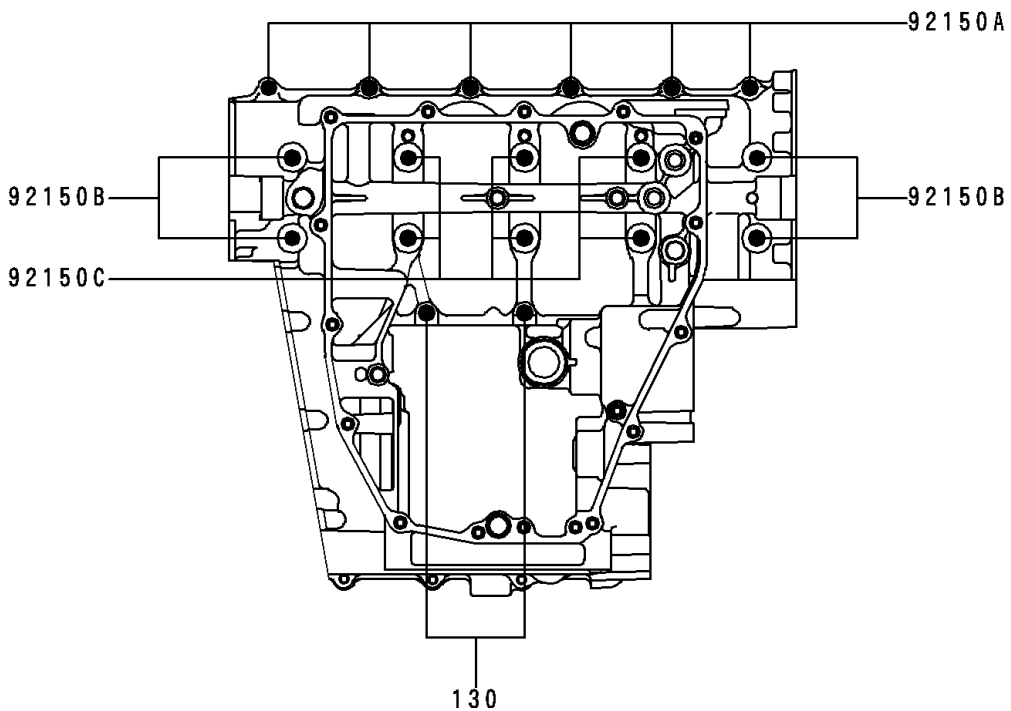
Crankcase Bolt Pattern

E1412

Upper Case



Lower Case



1998 NINJA® ZX™-6R PARTS LIST

Crankcase Bolt Pattern

ITEM NAME	PART NUMBER	QUANTITY
BOLT-FLANGED (Ref # 130)	130P0675	1
BOLT,6X95 (Ref # 92002)	92002-1078	1
BOLT,6X50 (Ref # 92002A)	92002-1079	1
BOLT,6X65 (Ref # 92002B)	92002-1140	1
BOLT,6X85 (Ref # 92002C)	92002-1306	1
BOLT,7X70 (Ref # 92150)	92150-1250	1
BOLT,6X38 (Ref # 92150A)	92150-1301	1
BOLT,8X99 (Ref # 92150B)	92150-1856	1
BOLT,8X76 (Ref # 92150C)	92150-1857	1
BOLT,6X35 (Ref # 92150D)	92150-1862	1