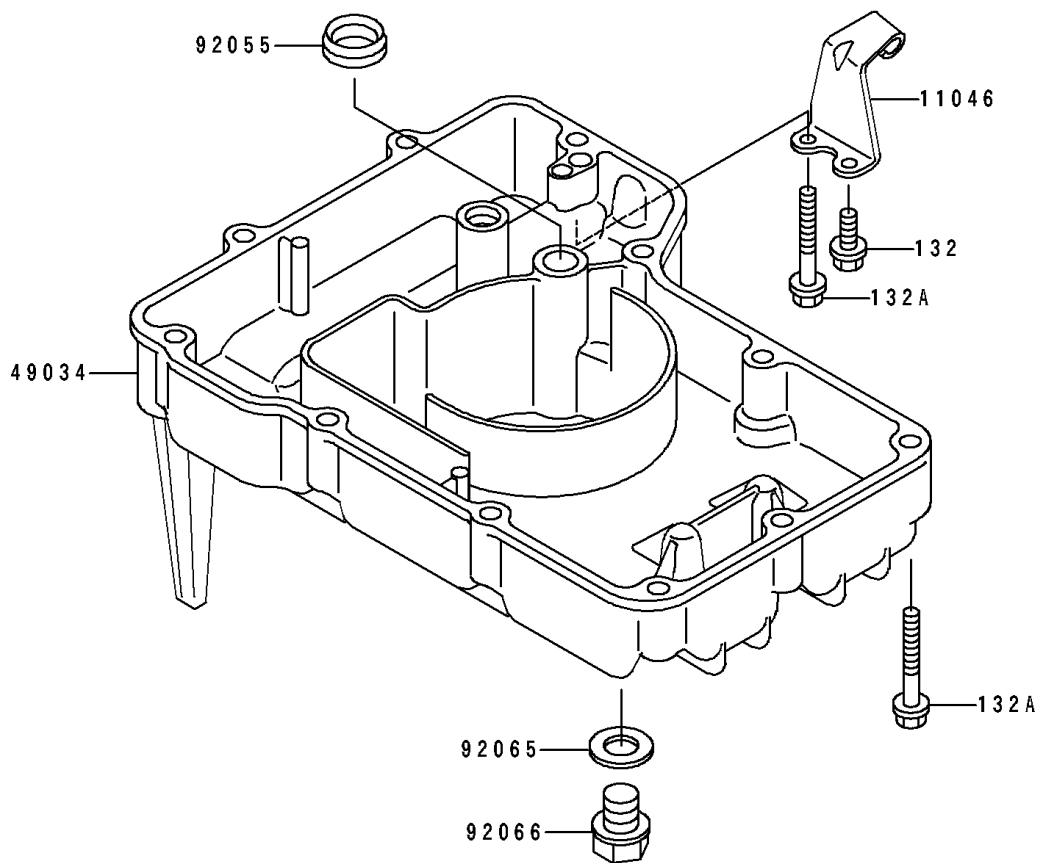
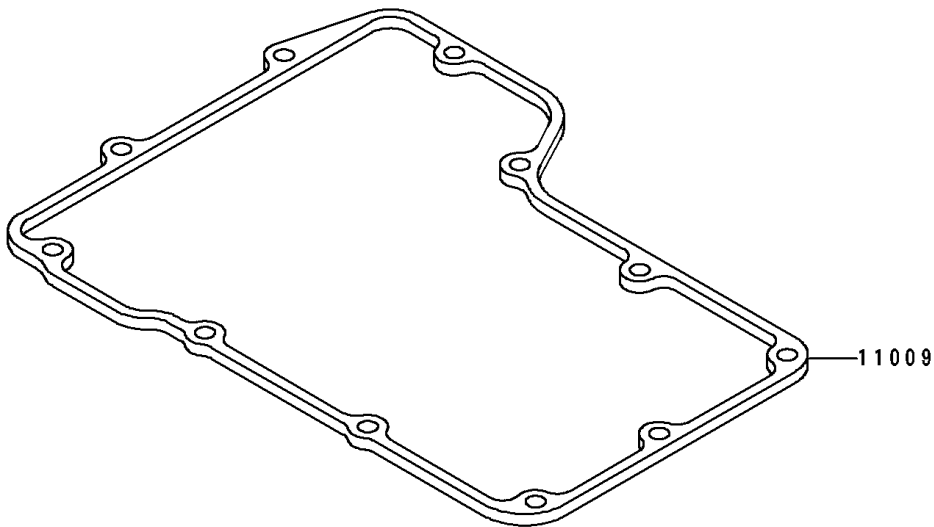


1991 NINJA® ZX™-6 PARTS DIAGRAM

Oil Pan

E1434



1991 NINJA® ZX™-6 PARTS LIST

Oil Pan

| ITEM NAME | PART NUMBER | QUANTITY |
|---|-------------|----------|
| GASKET,OIL PAN (Ref # 11009) | 11009-1870 | 1 |
| BRACKET,CLUTCH WIRE (Ref # 11046) | 11046-1912 | 1 |
| PAN-OIL (Ref # 49034) | 49034-1090 | 1 |
| RING-O,OD=18 (Ref # 92055) | 92055-048 | 1 |
| GASKET,12X22X2,DRAIN PLUG (Ref # 92065) | 92065-097 | 1 |
| PLUG,OIL DRAIN,12X15 (Ref # 92066) | 92066-1174 | 1 |
| BOLT-FLANGED-SMALL (Ref # 132) | 132G0612 | 1 |
| BOLT-FLANGED-SMALL (Ref # 132A) | 132G0640 | 1 |