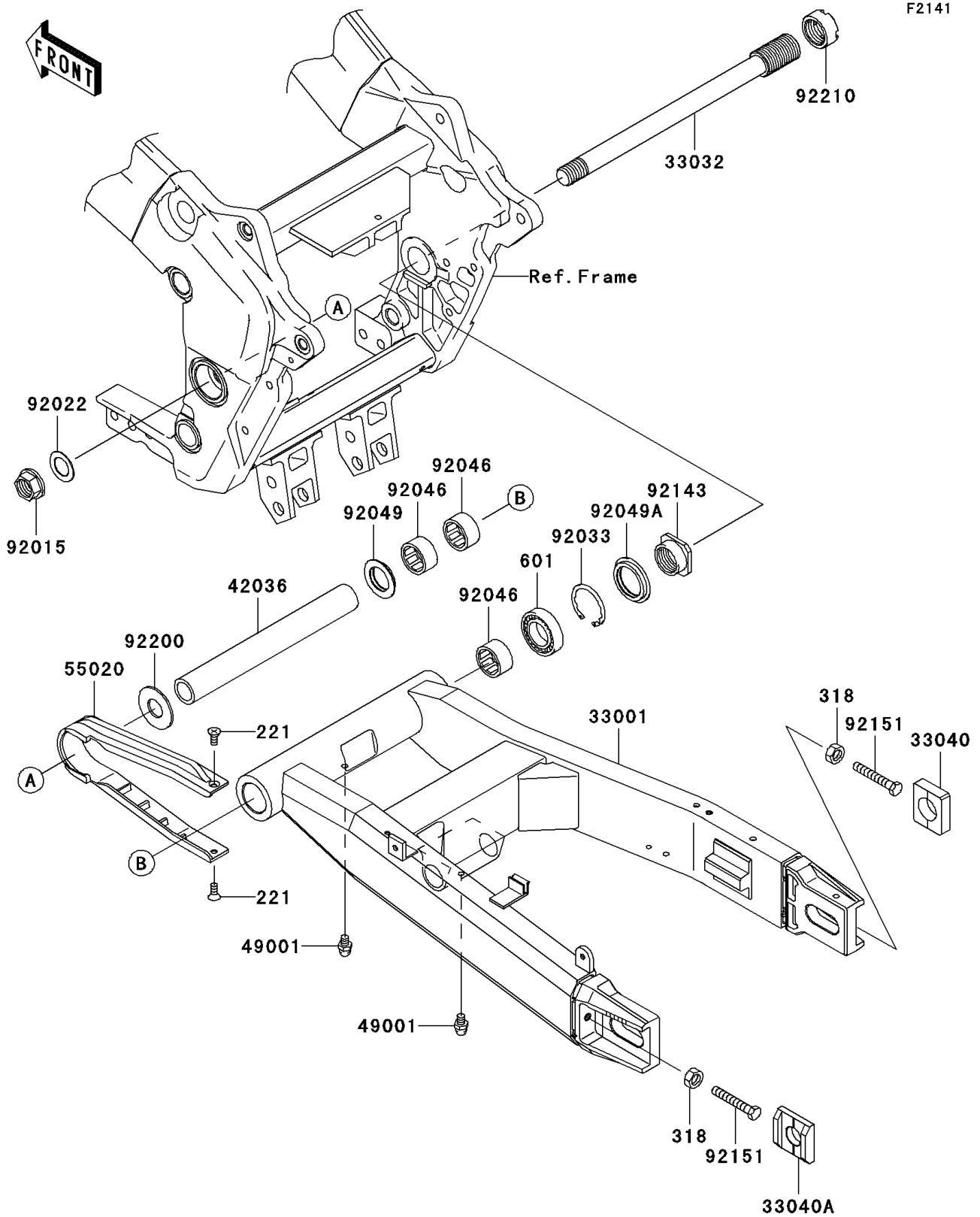


2002 ZZR® 1200 PARTS DIAGRAM

Swingarm



2002 ZZR®1200 PARTS LIST

Swingarm

ITEM NAME	PART NUMBER	QUANTITY
SCREW-CSK-CROS,5X8 (Ref # 221)	221C0508	1
NUT-HEX-SMALL,8MM (Ref # 318)	318G0800	1
BEARING-BALL,#6004 (Ref # 601)	601A6004	1
ARM-COMP-SWING,P.SILVER (Ref # 33001)	33001-1624-458	1
SHAFT-SWING ARM (Ref # 33032)	33032-1201	1
ADJUSTER-CHAIN (Ref # 33040)	33040-1109	1
ADJUSTER-CHAIN (Ref # 33040A)	33040-1191	1
SLEEVE,SWING ARM,L=231.8 (Ref # 42036)	42036-1372	1
NIPPLE-GREASE (Ref # 49001)	49001-0001	1
GUARD,CHAIN (Ref # 55020)	55020-1786	1
NUT,FLANGED,20MM (Ref # 92015)	92015-1724	1
WASHER,THRUST,20.5MM (Ref # 92022)	92022-1280	1
RING-SNAP,42MM (Ref # 92033)	92033-1041	1
BEARING-NEEDLE,BM2817 (Ref # 92046)	92046-1111	1
SEAL-OIL (Ref # 92049)	92049-1181	1
SEAL-OIL,MHA 35 42 5.7F (Ref # 92049A)	92049-1380	1
COLLAR,SWING ARM PIVOT,RH (Ref # 92143)	92143-1973	1
BOLT,8X55 (Ref # 92151)	92151-1578	1
WASHER,20.3X48X2.3 (Ref # 92200)	92200-1167	1
NUT,M28X1.0 (Ref # 92210)	92210-1347	1