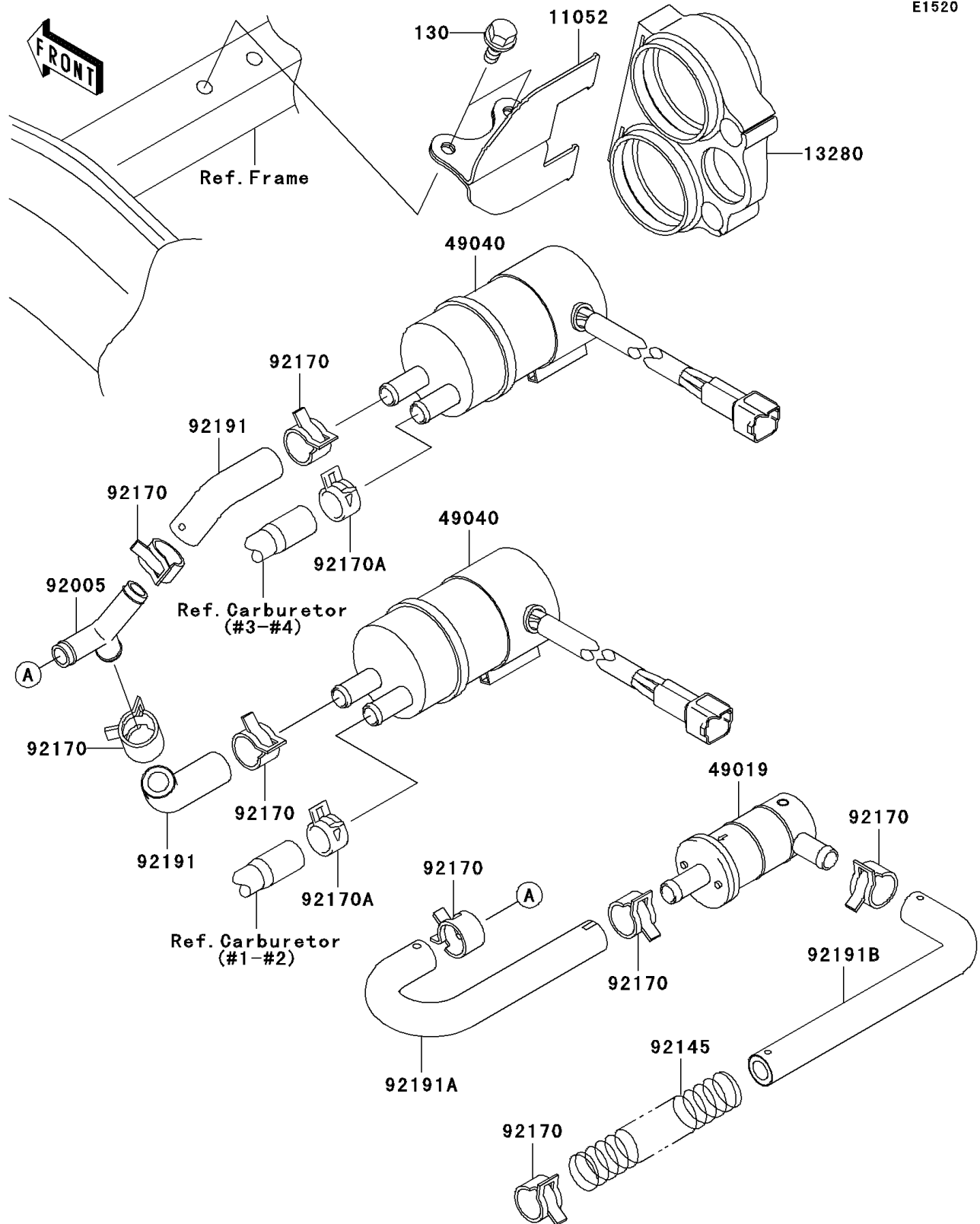


## 2002 ZZR® 1200 PARTS DIAGRAM

Fuel Pump

E1520



## 2002 ZZR® 1200 PARTS LIST

### Fuel Pump

| ITEM NAME                       | PART NUMBER | QUANTITY |
|---------------------------------|-------------|----------|
| BOLT-FLANGED,6X16 (Ref # 130)   | 130H0616    | 1        |
| BRACKET,HOLDER (Ref # 11052)    | 11052-1754  | 1        |
| HOLDER,FUEL PUMP (Ref # 13280)  | 13280-1264  | 1        |
| FILTER-FUEL (Ref # 49019)       | 49019-1083  | 1        |
| PUMP-FUEL (Ref # 49040)         | 49040-1079  | 1        |
| FITTING,FUEL PUMP (Ref # 92005) | 92005-1396  | 1        |
| SPRING,TUBE (Ref # 92145)       | 92145-1135  | 1        |
| CLAMP (Ref # 92170)             | 92170-1118  | 1        |
| CLAMP (Ref # 92170A)            | 92170-1938  | 1        |
| TUBE,L=58 (Ref # 92191)         | 92191-1710  | 1        |
| TUBE,L=171 (Ref # 92191A)       | 92191-1711  | 1        |
| TUBE,L=136 (Ref # 92191B)       | 92191-1712  | 1        |