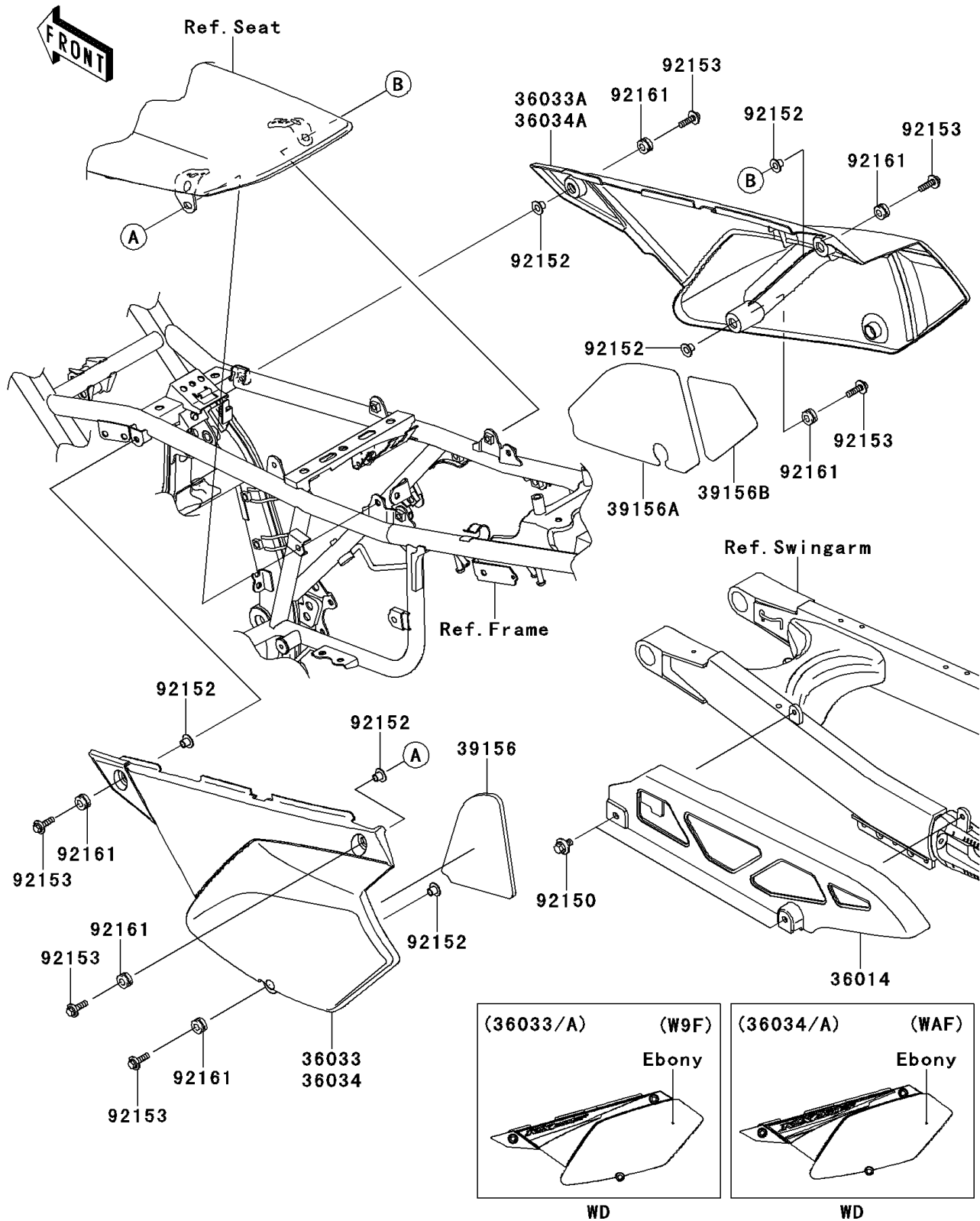


2009 KLX250SF PARTS DIAGRAM

Side Covers/Chain Cover

F2610



2009 KLX250SF PARTS LIST

Side Covers/Chain Cover

ITEM NAME	PART NUMBER	QUANTITY
CASE-CHAIN (Ref # 36014)	36014-0050	1
COVER-SIDE,LH,EBONY (Ref # 36033)	36033-5375-6C	1
COVER-SIDE,RH,EBONY (Ref # 36033A)	36033-5376-6C	1
PAD,SIDE COVER,LH (Ref # 39156)	39156-0197	1
PAD,SIDE COVER,FR,RH (Ref # 39156A)	39156-0198	1
PAD,SIDE COVER,RR,RH (Ref # 39156B)	39156-0199	1
BOLT,6X12 (Ref # 92150)	92150-1435	1
COLLAR (Ref # 92152)	92152-0237	1
BOLT,FLANGED,6X22 (Ref # 92153)	92153-0950	1
DAMPER (Ref # 92161)	92161-0685	1