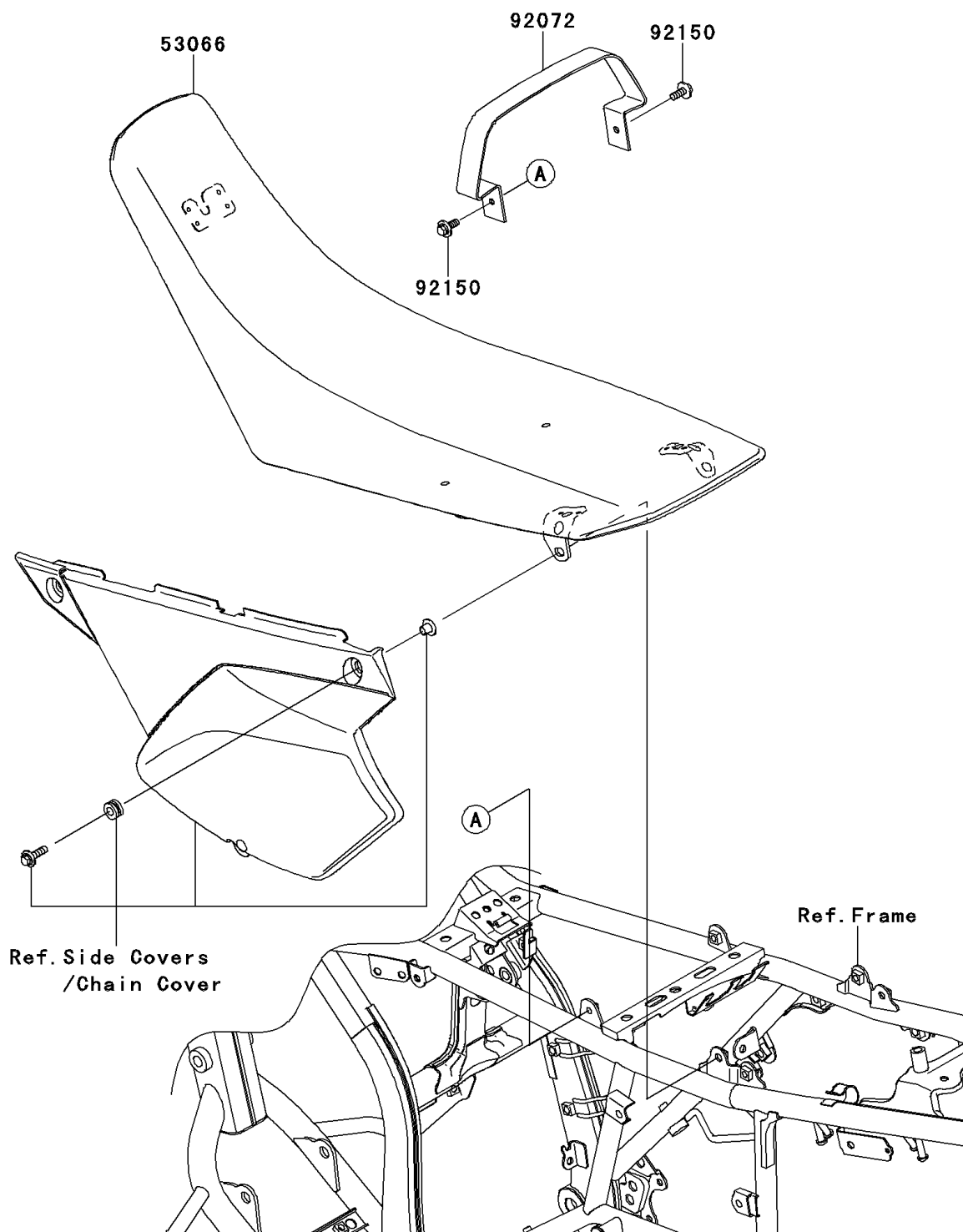


## 2009 KLX250SF PARTS DIAGRAM

Seat

F2510



## 2009 KLX250SF PARTS LIST

Seat

ITEM NAME	PART NUMBER	QUANTITY
SEAT-ASSY,DUAL,BLACK (Ref # 53066)	53066-0221-MA	1
BAND,SEAT,BLACK (Ref # 92072)	92072-0130-MA	1
BOLT,FLANGED,6X16 (Ref # 92150)	92150-1506	1