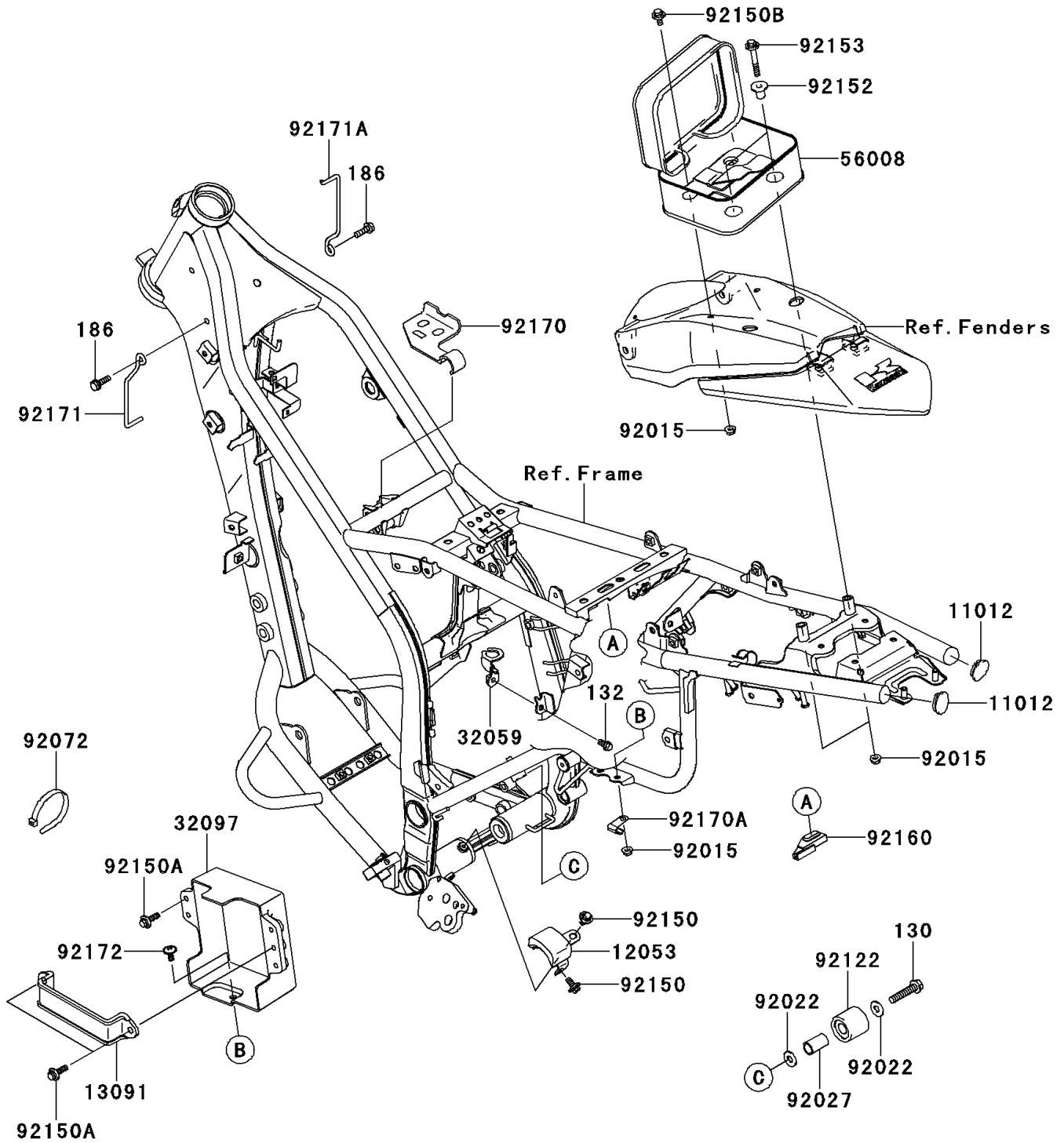


2009 KLX250SF PARTS DIAGRAM

Frame Fittings

F2131



2009 KLX250SF PARTS LIST

Frame Fittings

ITEM NAME	PART NUMBER	QUANTITY
BOLT-FLANGED,8X40 (Ref # 130)	130BA0840	1
BOLT-FLANGED-SMALL,6X12 (Ref # 132)	132BB0612	1
BOLT-UPSET-WP,6X20 (Ref # 186)	186BA0620	1
CAP (Ref # 11012)	11012-1369	1
GUIDE-CHAIN (Ref # 12053)	12053-0001	1
HOLDER (Ref # 13091)	13091-1875	1
BRACKET-SWITCH,BRAKE (Ref # 32059)	32059-1117	1
CASE-BATTERY (Ref # 32097)	32097-0001	1
BAG,TOOL,BLACK (Ref # 56008)	56008-0002-MA	1
NUT,FLANGED,6MM (Ref # 92015)	92015-1078	1
WASHER,8.5X20X1.6 (Ref # 92022)	92022-1561	1
COLLAR,CHAIN ROLLER (Ref # 92027)	92027-1670	1
BAND,L=140 (Ref # 92072)	92072-1293	1
ROLLER,CHAIN GUIDE (Ref # 92122)	92122-1153	1
BOLT,6X14 (Ref # 92150)	92150-1340	1
BOLT,FLANGED,6X22 (Ref # 92150A)	92150-1481	1
BOLT,FLANGED,6X16 (Ref # 92150B)	92150-1506	1
COLLAR (Ref # 92152)	92152-0604	1
BOLT,6X45 (Ref # 92153)	92153-0003	1
DAMPER (Ref # 92160)	92160-1565	1
CLAMP,HARNESS (Ref # 92170)	92170-1423	1
CLAMP,HARNESS (Ref # 92170A)	92170-1900	1
CLAMP,HARNESS,LH (Ref # 92171)	92171-1775	1
CLAMP,HARNESS,RH (Ref # 92171A)	92171-1907	1
SCREW,6X14 (Ref # 92172)	92172-0004	1