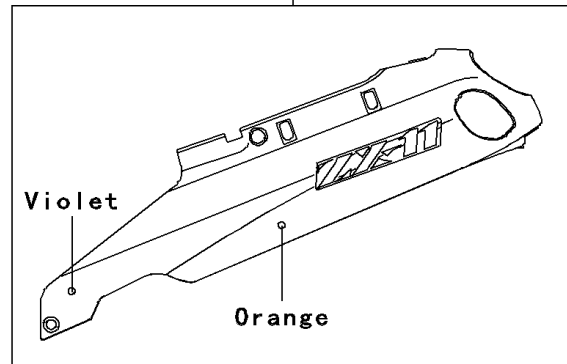
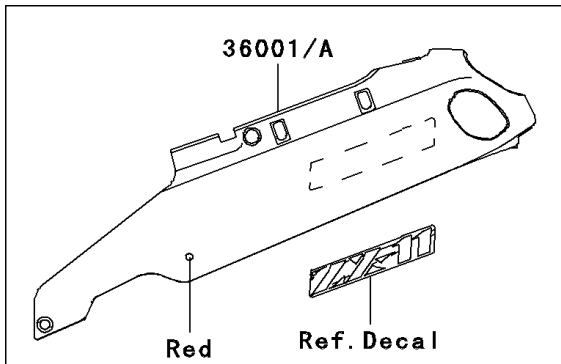
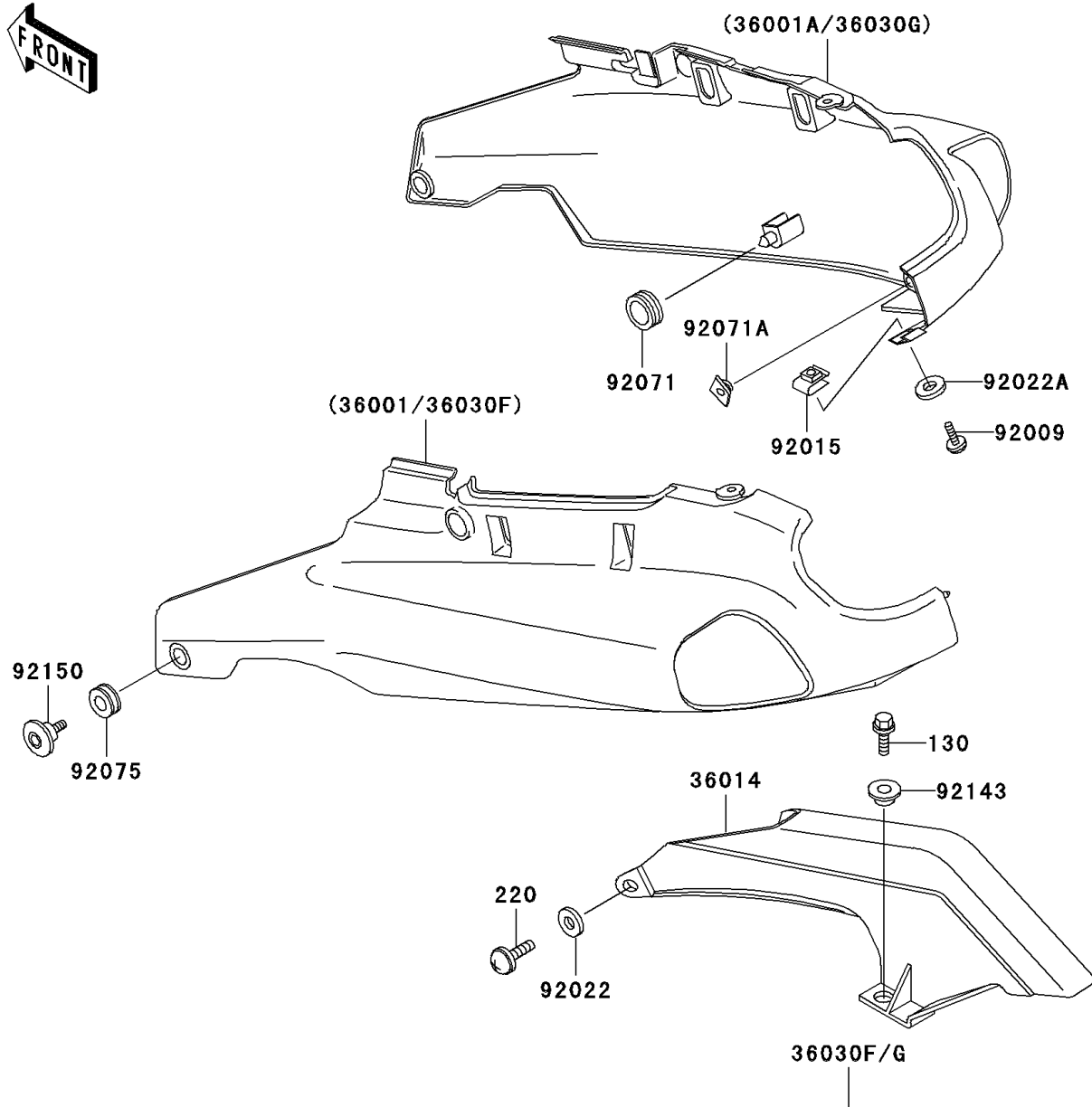


1993 NINJA® ZX™-11 PARTS DIAGRAM

Side Covers/Chain Cover(ZX1100-D1)

F2610



1993 NINJA® ZX™-11 PARTS LIST

Side Covers/Chain Cover(ZX1100-D1)

ITEM NAME	PART NUMBER	QUANTITY
BOLT-FLANGED,6X14,BLACK (Ref # 130)	130J0614	1
SCREW-PAN-CROS,6X16,BLACK (Ref # 220)	220C0616	1
CASE-CHAIN (Ref # 36014)	36014-1188	1
SCREW,5X16 (Ref # 92009)	92009-1654	1
NUT,5MM (Ref # 92015)	92015-1798	1
WASHER,6.5X20X1.6,BLACK (Ref # 92022)	92022-1346	1
WASHER,NYLON,5.3X11.5X1.5 (Ref # 92022A)	92022-1521	1
GROMMET (Ref # 92071)	92071-1131	1
GROMMET (Ref # 92071A)	92071-1214	1
DAMPER (Ref # 92075)	92075-1634	1
COLLAR,L=6.6 (Ref # 92143)	92143-1088	1
BOLT,SOCKET,6MM (Ref # 92150)	92150-1154	1
COVER-SIDE,LH,C.W.RED (Ref # 36001)	36001-1501-TF	1
COVER-SIDE,RH,C.W.RED (Ref # 36001A)	36001-1502-TF	1
COVER-SIDE,LH,VIOLET/ORANGE (Ref # 36030F)	36030-5193-VR	1
COVER-SIDE,RH,VIOLET/ORANGE (Ref # 36030G)	36030-5194-VR	1