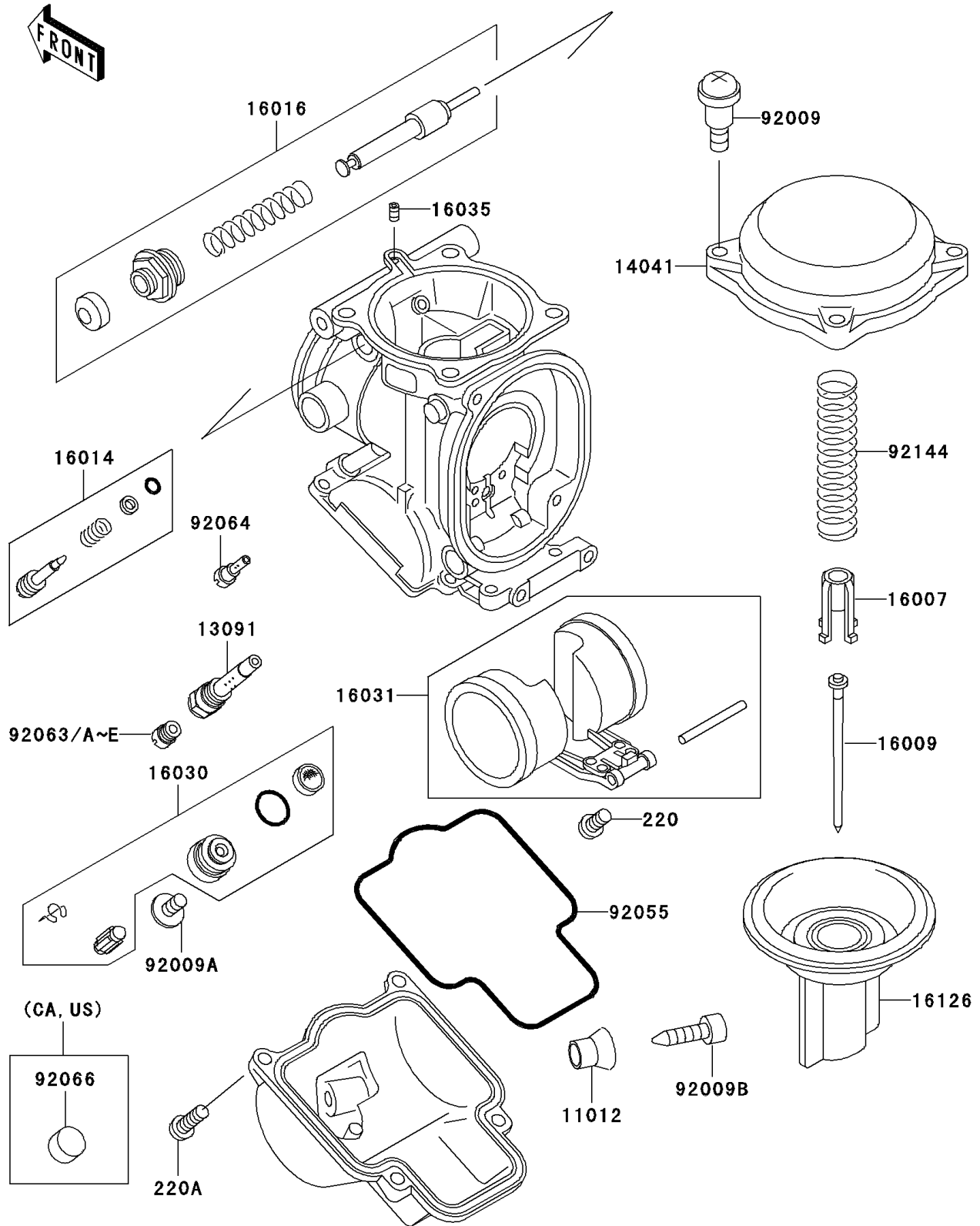


## 1993 NINJA® ZX™-11 PARTS DIAGRAM

Carburetor Parts

E1612



## 1993 NINJA® ZX™-11 PARTS LIST

### Carburetor Parts

ITEM NAME	PART NUMBER	QUANTITY
SCREW-PAN-CROS (Ref # 220)	220D0408	1
SCREW-PAN-CROS (Ref # 220A)	220D0414	1
CAP,DRAIN SCREW (Ref # 11012)	11012-1675	1
HOLDER,NEEDLE JET (Ref # 13091)	13091-1698	1
COVER-COMP,MIXING (Ref # 14041)	14041-1100	1
SEAT-SPRING,VALVE (Ref # 16007)	16007-1117	1
NEEDLE-JET,N96X (Ref # 16009)	16009-1786	1
SCREW-PILOT AIR (Ref # 16014)	16014-1086	1
PLUNGER,STARTER (Ref # 16016)	16016-1090	1
VALVE-FLOAT (Ref # 16030)	16030-1077	1
FLOAT (Ref # 16031)	16031-1080	1
JET-AIR,LEAK (Ref # 16035)	16035-1055	1
VALVE,VACUUM (Ref # 16126)	16126-1247	1
SCREW,4X4.4 (Ref # 92009)	92009-1549	1
SCREW,4X8 (Ref # 92009A)	92009-1550	1
SCREW,DRAIN,M6X0.75 (Ref # 92009B)	92009-1551	1
RING-O,FLOAT CHAMBER (Ref # 92055)	92055-1426	1
JET-MAIN,#152 (Ref # 92063)	92063-1331	1
JET-MAIN,#155 (Ref # 92063A)	92063-1332	1
JET-MAIN,#158 (Ref # 92063B)	92063-1344	1
JET-MAIN,#160 (Ref # 92063C)	92063-1345	1
JET-MAIN,#162 (Ref # 92063D)	92063-1346	1
JET-MAIN,#165 (Ref # 92063E)	92063-1347	1
JET-PILOT,#38 (Ref # 92064)	92064-1119	1
SPRING,THROTTLE VALVE (Ref # 92144)	92144-1535	1
PLUG,PILOT AIR SCREW,6.9X2 (Ref # 92066)	92066-1051	1