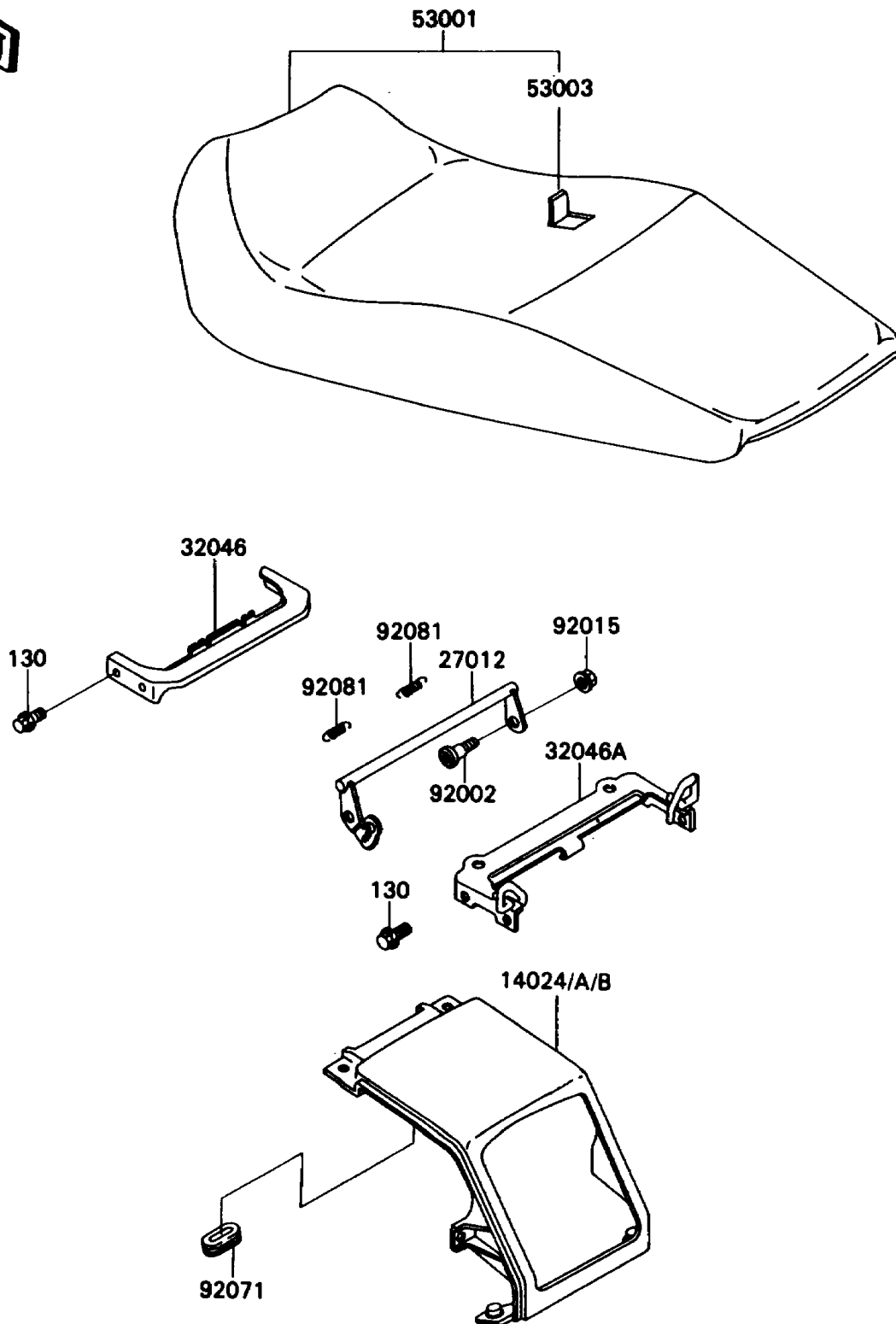


1990 NINJA® ZX™-11 PARTS DIAGRAM

Seat

F2510



1990 NINJA® ZX™-11 PARTS LIST

Seat

ITEM NAME	PART NUMBER	QUANTITY
COVER,TAIL,EBONY (Ref # 14024)	14024-1867-H8	1
HOOK,SEAT (Ref # 27012)	27012-1422	1
BRACKET-SEAT,FR (Ref # 32046)	32046-1342	1
BRACKET-SEAT,RR (Ref # 32046A)	32046-1344	1
SEAT-ASSY,DUAL,BLACK (Ref # 53001)	53001-1596-MA	1
LEATHER,SEAT,BLACK (Ref # 53003)	53003-1231-MA	1
BOLT,SOCKET,6MM (Ref # 92002)	92002-1616	1
NUT,FLANGED,6MM (Ref # 92015)	92015-1078	1
GROMMET (Ref # 92071)	92071-1002	1
SPRING,HOOK RETURN (Ref # 92081)	92081-1580	1
BOLT-FLANGED,6X14,BLACK (Ref # 130)	130J0614	1