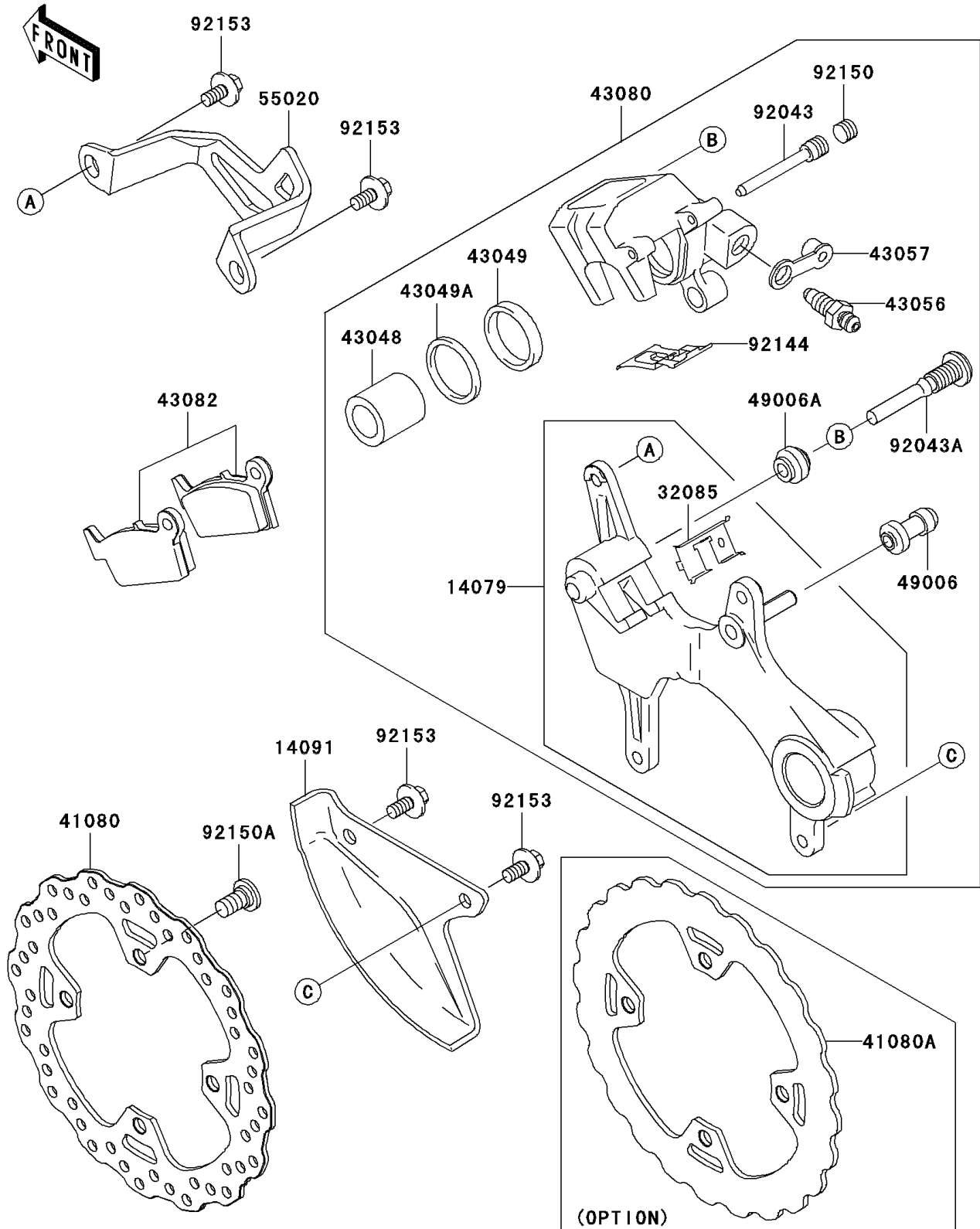


2009 KX™450F PARTS DIAGRAM

Rear Brake

F2294



2009 KX™450F PARTS LIST

Rear Brake

| ITEM NAME | PART NUMBER | QUANTITY |
|--|---------------|----------|
| HOLDER-ASSY,REAR CALIPER (Ref # 14079) | 14079-0022 | 1 |
| COVER,REAR DISC,EBONY (Ref # 14091) | 14091-1523-6C | 1 |
| STOPPER,PAD (Ref # 32085) | 32085-1386 | 1 |
| DISC,RR (Ref # 41080) | 41080-0076 | 1 |
| DISC,RR (Ref # 41080A) | 41080-0094 | 1 |
| PISTON-CALIPER (Ref # 43048) | 43048-1066 | 1 |
| PACKING (Ref # 43049) | 43049-1063 | 1 |
| PACKING (Ref # 43049A) | 43049-1064 | 1 |
| BREATHER (Ref # 43056) | 43056-1055 | 1 |
| CAP-BREATHER (Ref # 43057) | 43057-1001 | 1 |
| CALIPER-SUB-ASSY,RR (Ref # 43080) | 43080-0037 | 1 |
| PAD-ASSY-BRAKE (Ref # 43082) | 43082-0048 | 1 |
| BOOT,CALIPER (Ref # 49006) | 49006-1088 | 1 |
| BOOT,CALIPER (Ref # 49006A) | 49006-1242 | 1 |
| GUARD,REAR CALIPER,EBONY (Ref # 55020) | 55020-0458-6C | 1 |
| PIN,HANGER (Ref # 92043) | 92043-1507 | 1 |
| PIN (Ref # 92043A) | 92043-1508 | 1 |
| SPRING,PAD (Ref # 92144) | 92144-1819 | 1 |
| BOLT,PLUG (Ref # 92150) | 92150-1692 | 1 |
| BOLT,DISC PLATE,8X15 (Ref # 92150A) | 92150-1811 | 1 |
| BOLT,FLANGED,6X14 (Ref # 92153) | 92153-0936 | 1 |