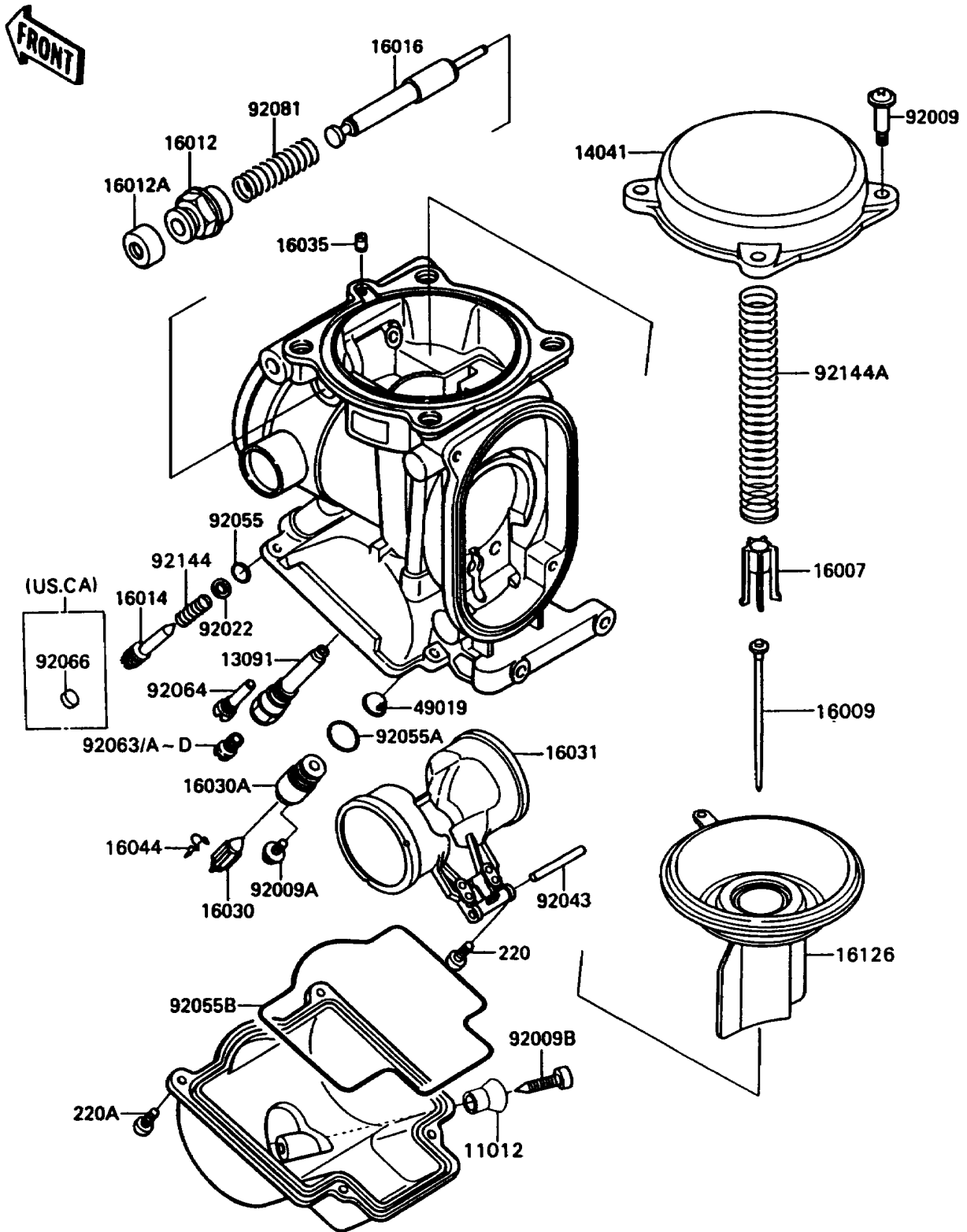


## 1990 NINJA® ZX™-11 PARTS DIAGRAM

Carburetor Parts(&NAMI.015042)

E1612



## 1990 NINJA® ZX™-11 PARTS LIST

Carburetor Parts(&NAMI.015042)

ITEM NAME	PART NUMBER	QUANTITY
CAP,DRAIN SCREW (Ref # 11012)	11012-1675	1
HOLDER,NEEDLE JET (Ref # 13091)	13091-1698	1
COVER-COMP,MIXING (Ref # 14041)	14041-1100	1
SEAT-SPRING,VALVE (Ref # 16007)	16007-1117	1
NEEDLE-JET,N60U (Ref # 16009)	16009-1621	1
CAP-STARTER PLUNGER (Ref # 16012)	16012-1051	1
CAP-STARTER PLUNGER (Ref # 16012A)	16012-1052	1
SCREW-PILOT AIR (Ref # 16014)	16014-1064	1
PLUNGER,STARTER (Ref # 16016)	16016-1061	1
VALVE-FLOAT (Ref # 16030)	16030-1007	1
SEAT VALVE,FLOAT (Ref # 16030A)	16030-1069	1
FLOAT (Ref # 16031)	16031-1070	1
JET-AIR,LEAK (Ref # 16035)	16035-1055	1
CLAMP,FLOAT VALVE (Ref # 16044)	16044-007	1
VALVE,VACUUM (Ref # 16126)	16126-1247	1
FILTER-FUEL,STRAINER (Ref # 49019)	49019-3707	1
SCREW,4X4.4 (Ref # 92009)	92009-1549	1
SCREW,4X8 (Ref # 92009A)	92009-1550	1
SCREW,DRAIN,M6X0.75 (Ref # 92009B)	92009-1551	1
WASHER,PLAIN (Ref # 92022)	92022-1003	1
PIN,FLOAT (Ref # 92043)	92043-1207	1
RING-O,PILOT ADJUST (Ref # 92055)	92055-1002	1
RING-O,VALVE SEAT (Ref # 92055A)	92055-1425	1
RING-O,FLOAT CHAMBER (Ref # 92055B)	92055-1426	1
JET-MAIN,#150 (Ref # 92063)	92063-1330	1
JET-MAIN,#152 (Ref # 92063A)	92063-1331	1
JET-MAIN,#155 (Ref # 92063B)	92063-1332	1
JET-MAIN,#158 (Ref # 92063C)	92063-1344	1
JET-MAIN,#160 (Ref # 92063D)	92063-1345	1

## 1990 NINJA® ZX™-11 PARTS LIST

Carburetor Parts(&NAMI.015042)

ITEM NAME	PART NUMBER	QUANTITY
JET-PILOT,#38 (Ref # 92064)	92064-1119	1
PLUG,PILOT AIR SCREW,6.9X2 (Ref # 92066)	92066-1051	1
SPRING,STARTER PLUNGER (Ref # 92081)	92081-1761	1
SPRING,PILOT AIR SCREW (Ref # 92144)	92144-1349	1
SPRING,THROTTLE VALVE (Ref # 92144A)	92144-1535	1
SCREW-PAN-CROS (Ref # 220)	220D0408	1
SCREW-PAN-CROS (Ref # 220A)	220D0410	1