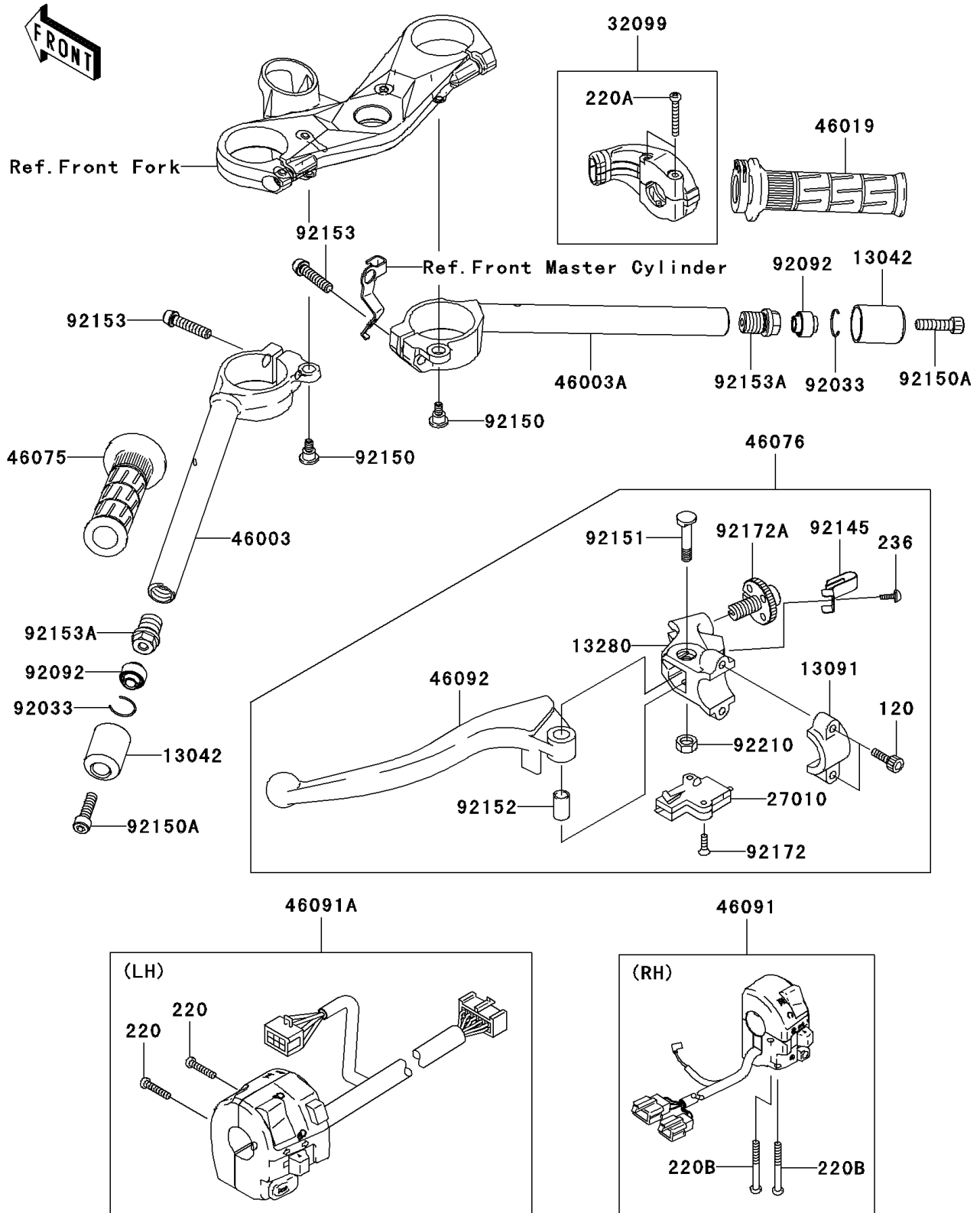


## 2006 NINJA® ZX™-10R PARTS DIAGRAM

Handlebar

F2310



## 2006 NINJA® ZX™-10R PARTS LIST

Handlebar

| ITEM NAME                              | PART NUMBER | QUANTITY |
|--|-------------|----------|
| BOLT-SOCKET,6X20 (Ref # 120)           | 120P0620    | 1        |
| SCREW-PAN-CROS,5X25 (Ref # 220)        | 220C0525    | 1        |
| SCREW-PAN-CROS,5X35 (Ref # 220A)       | 220C0535    | 1        |
| SCREW-PAN-CROS,5X45 (Ref # 220B)       | 220C0545    | 1        |
| SCREW-PAN-WSP-CROS,4X10 (Ref # 236)    | 236C0410    | 1        |
| WEIGHT,HANDLE (Ref # 13042)            | 13042-1133  | 1        |
| HOLDER,CLUTCH LEVER (Ref # 13091)      | 13091-1624  | 1        |
| HOLDER,CLUTCH LEVER (Ref # 13280)      | 13280-1160  | 1        |
| SWITCH,CLUTCH (Ref # 27010)            | 27010-1492  | 1        |
| CASE,THROTTLE CABLE (Ref # 32099)      | 32099-1193  | 1        |
| HANDLE,LH (Ref # 46003)                | 46003-0050  | 1        |
| HANDLE,RH (Ref # 46003A)               | 46003-0095  | 1        |
| GRIP-ASSY,THROTTLE (Ref # 46019)       | 46019-0001  | 1        |
| GRIP,LH (Ref # 46075)                  | 46075-1144  | 1        |
| LEVER-ASSY-GRIP,CLUTCH (Ref # 46076)   | 46076-0033  | 1        |
| HOUSING-ASSY-CONTROL,RH (Ref # 46091)  | 46091-0040  | 1        |
| HOUSING-ASSY-CONTROL,LH (Ref # 46091A) | 46091-0044  | 1        |
| LEVER-GRIP,CLUTCH (Ref # 46092)        | 46092-0006  | 1        |
| RING-SNAP,OD=22.2 (Ref # 92033)        | 92033-1102  | 1        |
| BUSHING-RUBBER,HANDLE (Ref # 92092)    | 92092-1075  | 1        |
| SPRING (Ref # 92145)                   | 92145-1286  | 1        |
| BOLT,6MM (Ref # 92150)                 | 92150-1090  | 1        |
| BOLT,SOCKET,8X30 (Ref # 92150A)        | 92150-1604  | 1        |
| BOLT (Ref # 92151)                     | 92151-1523  | 1        |
| COLLAR (Ref # 92152)                   | 92152-0103  | 1        |
| BOLT,SOCKET,8X35 (Ref # 92153)         | 92153-0907  | 1        |
| BOLT,17X18 (Ref # 92153A)              | 92153-1667  | 1        |
| SCREW,3X16 (Ref # 92172)               | 92172-0183  | 1        |
| SCREW,ADJUST NUT (Ref # 92172A)        | 92172-1060  | 1        |

## 2006 NINJA® ZX™-10R PARTS LIST

Handlebar

| ITEM NAME                  | PART NUMBER | QUANTITY |
|----------------------------|-------------|----------|
| NUT,LOCK,6MM (Ref # 92210) | 92210-0006  | 1        |