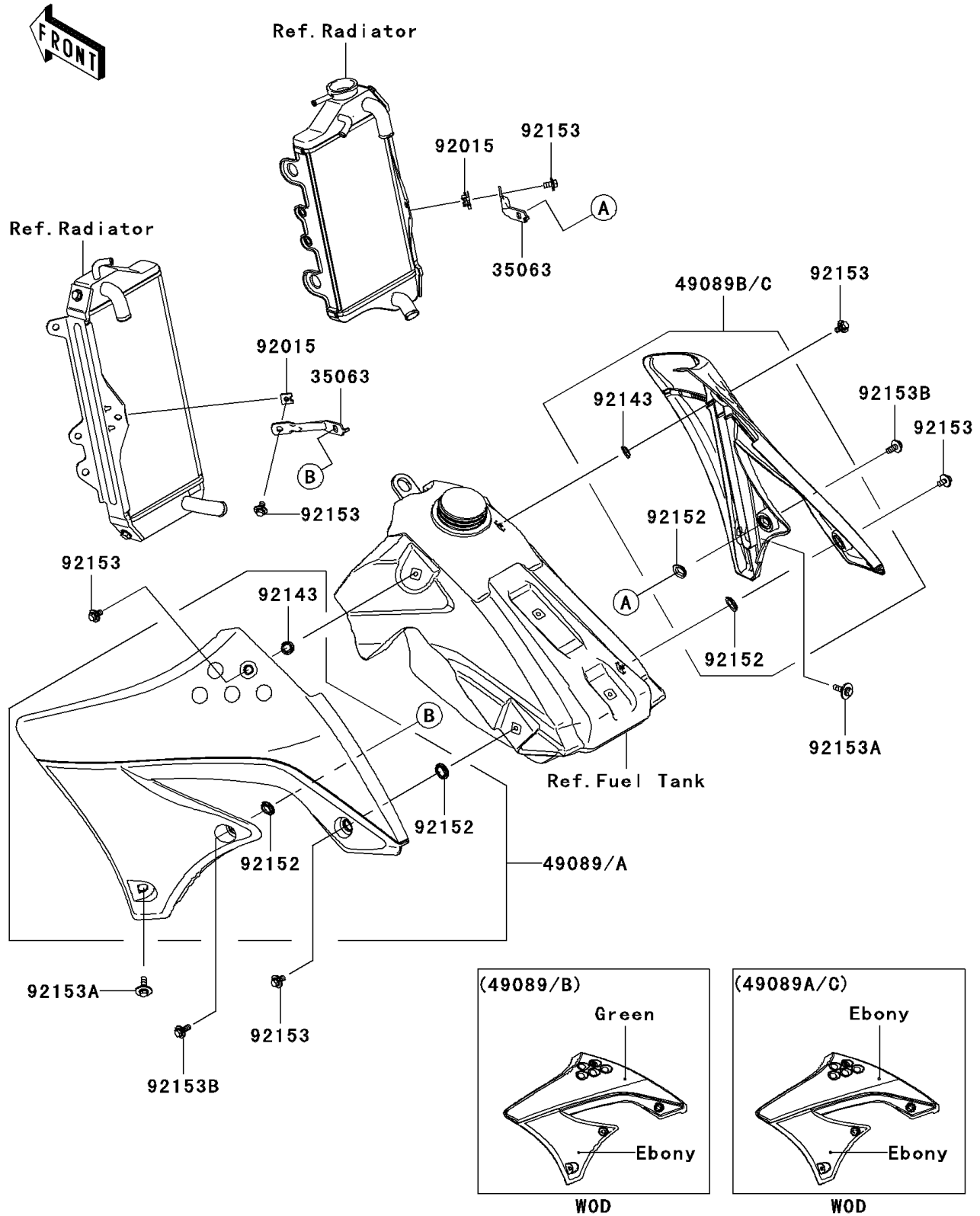


## 2009 KX™450F PARTS DIAGRAM

Engine Shrouds

E3036



## 2009 KX™450F PARTS LIST

Engine Shrouds

| ITEM NAME                                     | PART NUMBER    | QUANTITY |
|---|----------------|----------|
| STAY,RADIATOR (Ref # 35063)                   | 35063-0644     | 1        |
| SHROUD-ENGINE,LH,UP GRN+LO EBO (Ref # 49089)  | 49089-0066-25M | 1        |
| SHROUD-ENGINE,RH,UP GRN+LO EBO (Ref # 49089B) | 49089-0067-25M | 1        |
| NUT (Ref # 92015)                             | 92015-1487     | 1        |
| COLLAR (Ref # 92143)                          | 92143-1196     | 1        |
| COLLAR (Ref # 92152)                          | 92152-0052     | 1        |
| BOLT,6X12 (Ref # 92153)                       | 92153-0503     | 1        |
| BOLT,6X20 (Ref # 92153A)                      | 92153-0864     | 1        |
| BOLT,FLANGED,6X16 (Ref # 92153B)              | 92153-1059     | 1        |