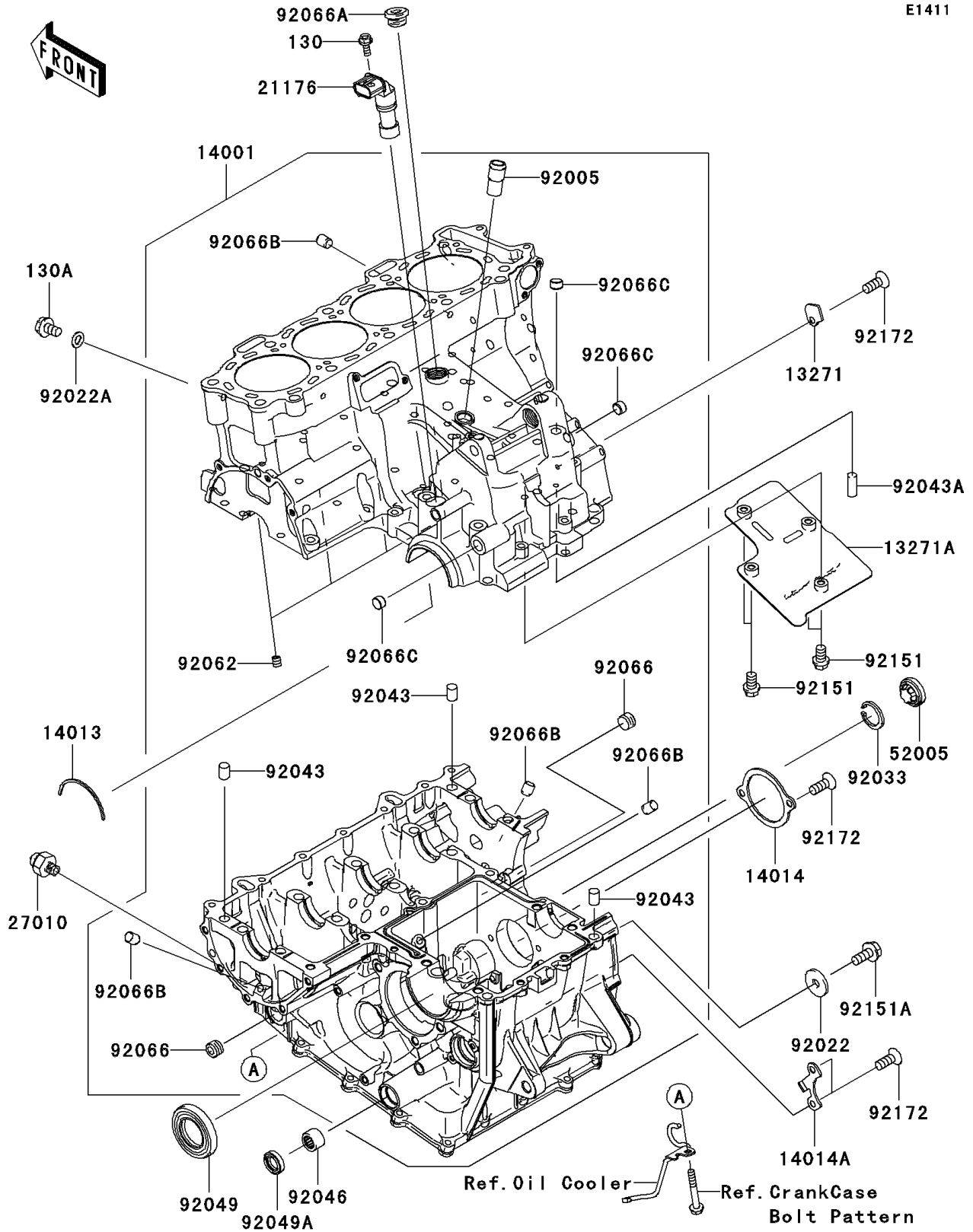


2006 NINJA® ZX™-10R PARTS DIAGRAM

Crankcase

E1411



2006 NINJA® ZX™-10R PARTS LIST

Crankcase

ITEM NAME	PART NUMBER	QUANTITY
BOLT-FLANGED,6X16 (Ref # 130)	130L0616	1
BOLT-FLANGED,6X10 (Ref # 130A)	130Y0610	1
PLATE (Ref # 13271)	13271-0148	1
PLATE,BREATHER ROOM (Ref # 13271A)	13271-0594	1
SET-CRANKCASE (Ref # 14001)	14001-0062	1
RING-POSITION (Ref # 14013)	14013-1051	1
PLATE-POSITION (Ref # 14014)	14014-0012	1
PLATE-POSITION (Ref # 14014A)	14014-0021	1
SENSOR,SPEED (Ref # 21176)	21176-0042	1
SWITCH,OIL PRESSURE (Ref # 27010)	27010-1313	1
GAUGE (Ref # 52005)	52005-1120	1
FITTING,BREATHER (Ref # 92005)	92005-1238	1
WASHER,6X19.5X2 (Ref # 92022)	92022-1517	1
WASHER,6.2X11X1 (Ref # 92022A)	92022-304	1
RING-SNAP (Ref # 92033)	92033-1305	1
PIN (Ref # 92043)	92043-1506	1
PIN,6X16 (Ref # 92043A)	92043-1690	1
BEARING-NEEDLE,7E-HK1412 (Ref # 92046)	92046-037	1
SEAL-OIL,TC32578 (Ref # 92049)	92049-1474	1
SEAL-OIL,TC14245 (Ref # 92049A)	92049-1520	1
NOZZLE (Ref # 92062)	92062-0004	1
PLUG,PT3/8X10 (Ref # 92066)	92066-0003	1
PLUG,18X10 (Ref # 92066A)	92066-0016	1
PLUG,OIL LINE,7.2X8 (Ref # 92066B)	92066-1012	1
PLUG (Ref # 92066C)	92066-1110	1
BOLT,FLANGED-SMALL,6X10 (Ref # 92151)	92151-1389	1
BOLT,FLANGED,6X14 (Ref # 92151A)	92151-1476	1
SCREW,6X16 (Ref # 92172)	92172-0218	1