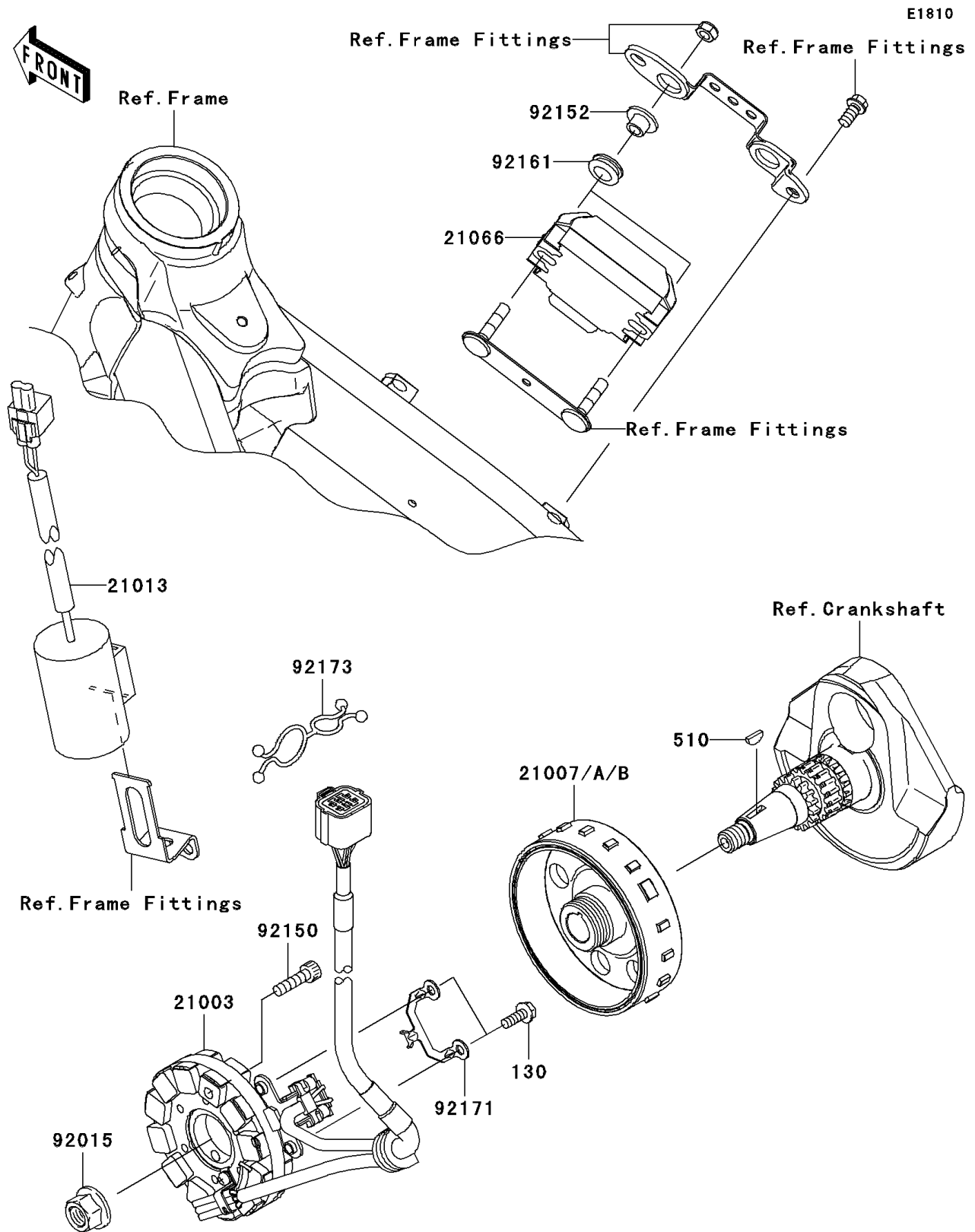


## 2009 KX™450F PARTS DIAGRAM

Generator



## 2009 KX™450F PARTS LIST

Generator

ITEM NAME	PART NUMBER	QUANTITY
BOLT-FLANGED,5X14 (Ref # 130)	130BA0514	1
KEY-WOODRUFF (Ref # 510)	510A3200	1
STATOR (Ref # 21003)	21003-0082	1
ROTOR,I=9.0 (Ref # 21007)	21007-0122	1
ROTOR,I=8.5 (Ref # 21007A)	21007-0138	1
ROTOR,I=9.5 (Ref # 21007B)	21007-0139	1
CONDENSER (Ref # 21013)	21013-0001	1
REGULATOR-VOLTAGE (Ref # 21066)	21066-0042	1
NUT,FLANGED,12MM (Ref # 92015)	92015-1156	1
BOLT,SOCKET,6X22 (Ref # 92150)	92150-1654	1
COLLAR (Ref # 92152)	92152-0295	1
DAMPER (Ref # 92161)	92161-0266	1
CLAMP (Ref # 92171)	92171-1843	1
CLAMP (Ref # 92173)	92173-0029	1