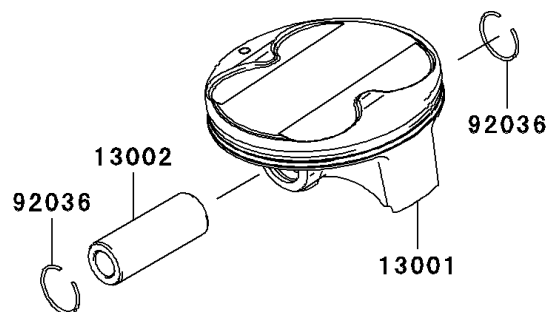
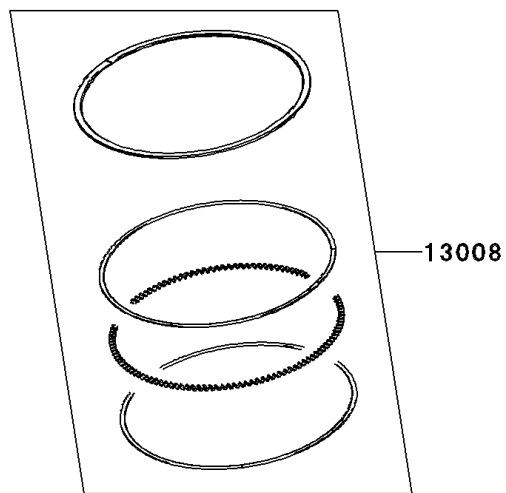
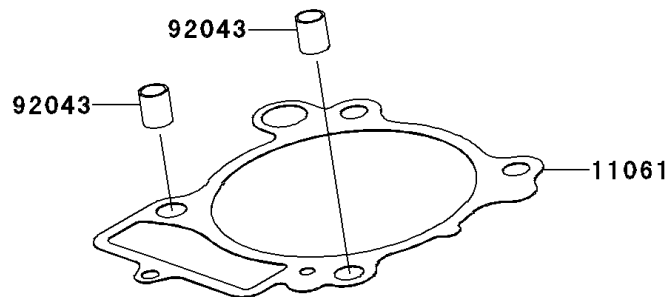
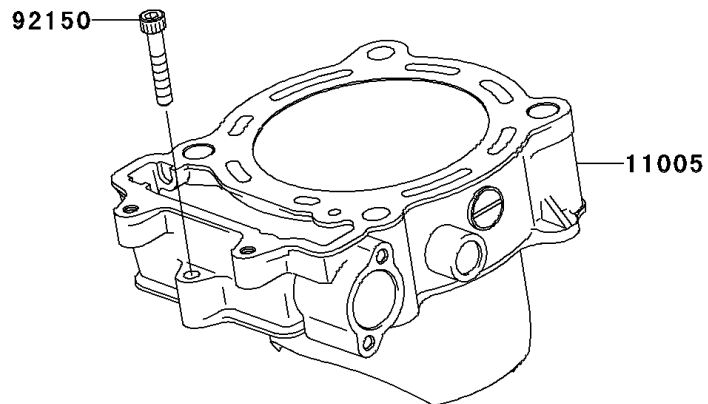


2009 KX™450F PARTS DIAGRAM

Cylinder/Piston(s)

E1120



2009 KX™450F PARTS LIST

Cylinder/Piston(s)

ITEM NAME	PART NUMBER	QUANTITY
CYLINDER-ENGINE (Ref # 11005)	11005-0109	1
GASKET,CYLINDER BASE (Ref # 11061)	11061-0353	1
PISTON-ENGINE (Ref # 13001)	13001-0110	1
PIN-PISTON (Ref # 13002)	13002-0016	1
RING-SET-PISTON (Ref # 13008)	13008-0018	1
RING-SNAP,PISTON PIN (Ref # 92036)	92036-008	1
PIN,12X14 (Ref # 92043)	92043-4009	1
BOLT,SOCKET,6X35 (Ref # 92150)	92150-1875	1