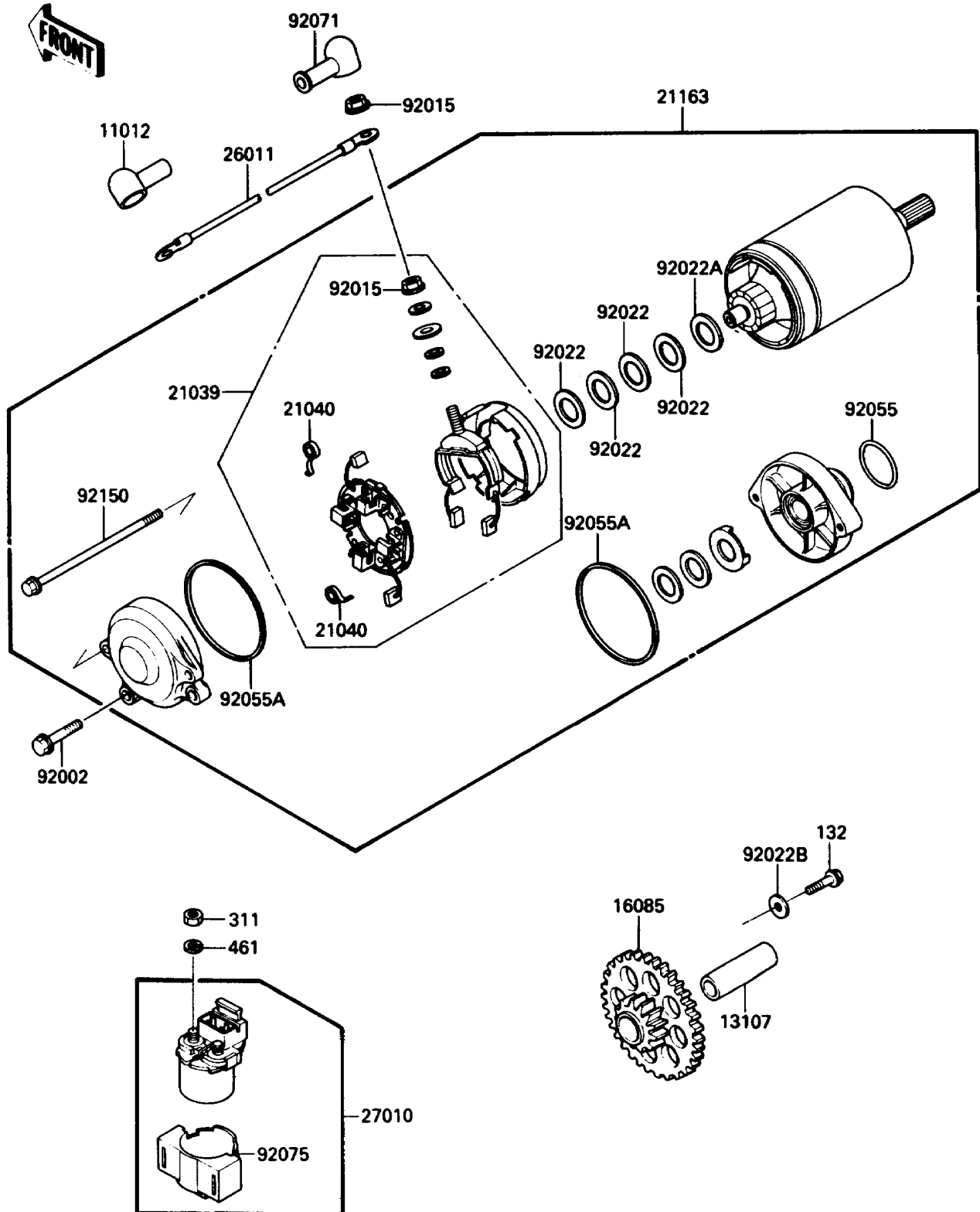


1988 NINJA® ZX™-10 PARTS DIAGRAM

Starter Motor

E1840-0095



1988 NINJA® ZX™-10 PARTS LIST

Starter Motor

ITEM NAME	PART NUMBER	QUANTITY
BOLT-FLANGED-SMALL (Ref # 132)	132G0612	1
NUT-HEX,6MM (Ref # 311)	311B0600	1
WASHER-SPRING,6MM (Ref # 461)	461F0600	1
CAP,TERMINAL (Ref # 11012)	11012-1354	1
SHAFT,IDLE GEAR (Ref # 13107)	13107-1106	1
GEAR,IDLE (Ref # 16085)	16085-1104	1
BRUSH,CARBON (Ref # 21039)	21039-1060	1
SPRING-BRUSH (Ref # 21040)	21040-1055	1
STARTER-ELECTRIC (Ref # 21163)	21163-1126	1
WIRE-LEAD,MOTOR (Ref # 26011)	26011-1424	1
SWITCH,MAGNETIC (Ref # 27010)	27010-1254	1
BOLT,6X20 (Ref # 92002)	92001-1947	1
NUT,STARTER MOTOR (Ref # 92015)	92015-1476	1
WASHER,9.1X18X0.2 (Ref # 92022)	21025-011	1
WASHER,9.1X18X0.8 (Ref # 92022A)	92022-1132	1
WASHER,6X19.5X2 (Ref # 92022B)	92022-1517	1
RING-O (Ref # 92055)	92055-1276	1
RING-O,STARTER MOTOR (Ref # 92055A)	92055-1381	1
GROMMET,STARTER TERMINAL (Ref # 92071)	21017-017	1
DAMPER,MAGNETIC SWITCH (Ref # 92075)	92075-1863	1
BOLT,5X110 (Ref # 92150)	92150-1143	1