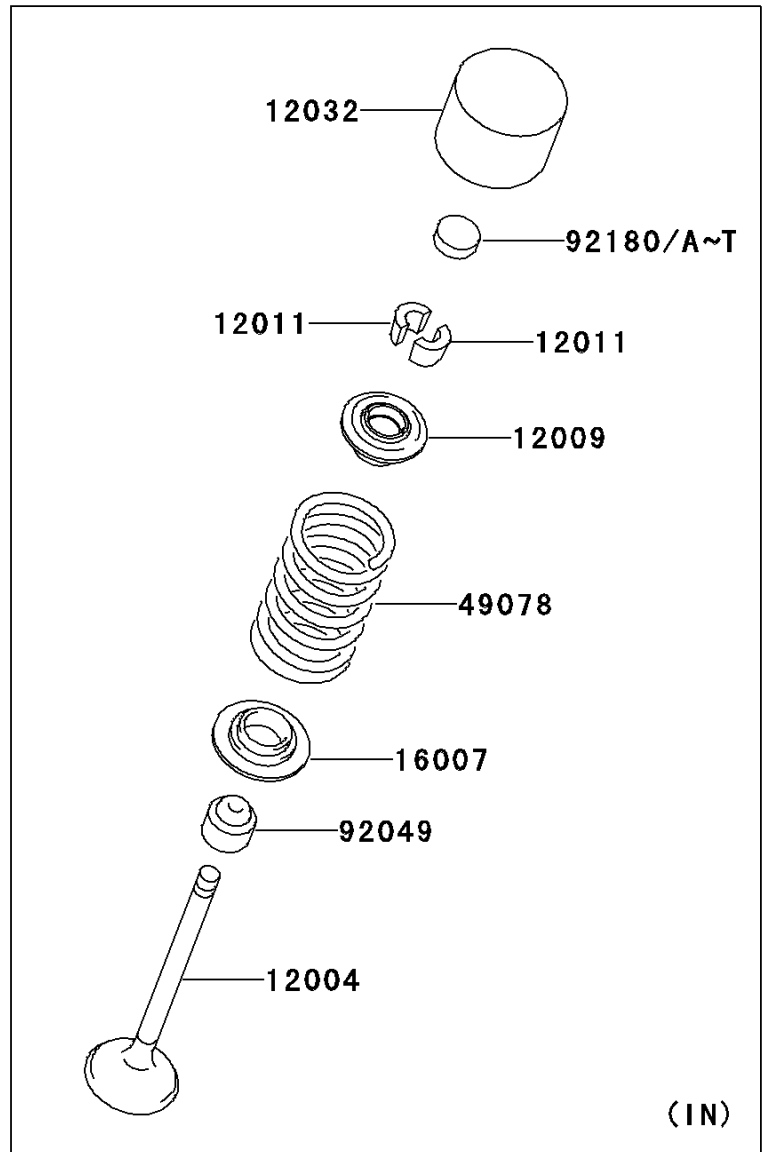
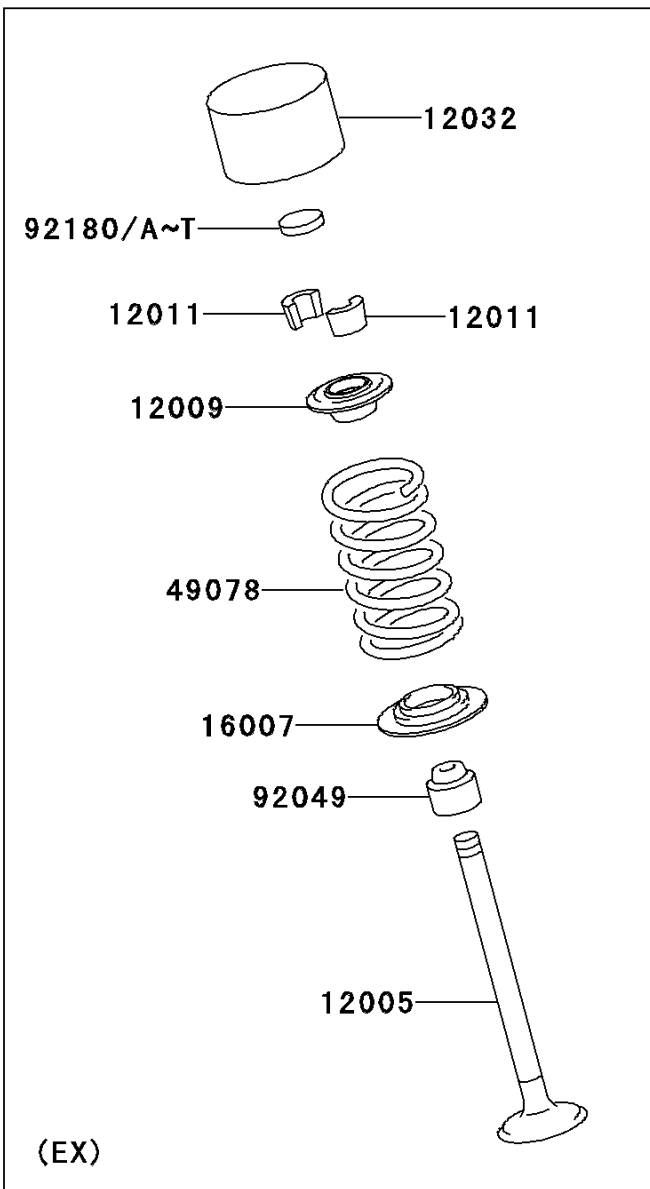


## 2006 Z750S PARTS DIAGRAM

Valve(s)

E1210



## 2006 Z750S PARTS LIST

Valve(s)

| ITEM NAME                           | PART NUMBER | QUANTITY |
|-------------------------------------|-------------|----------|
| VALVE-INTAKE (Ref # 12004)          | 12004-0005  | 1        |
| VALVE-EXHAUST (Ref # 12005)         | 12005-0010  | 1        |
| RETAINER-VALVE SPRING (Ref # 12009) | 12009-0001  | 1        |
| COLLET (Ref # 12011)                | 12011-1052  | 1        |
| TAPPET (Ref # 12032)                | 12032-0008  | 1        |
| SEAT-SPRING (Ref # 16007)           | 16007-1227  | 1        |
| SPRING-ENGINE VALVE (Ref # 49078)   | 49078-0023  | 1        |
| SEAL-OIL, VALVE GUIDE (Ref # 92049) | 92049-1308  | 1        |
| SHIM,T=2.50 (Ref # 92180)           | 92180-1014  | 1        |
| SHIM,T=2.55 (Ref # 92180A)          | 92180-1016  | 1        |
| SHIM,T=2.60 (Ref # 92180B)          | 92180-1018  | 1        |
| SHIM,T=2.65 (Ref # 92180C)          | 92180-1020  | 1        |
| SHIM,T=2.70 (Ref # 92180D)          | 92180-1022  | 1        |
| SHIM,T=2.75 (Ref # 92180E)          | 92180-1024  | 1        |
| SHIM,T=2.80 (Ref # 92180F)          | 92180-1026  | 1        |
| SHIM,T=2.85 (Ref # 92180G)          | 92180-1028  | 1        |
| SHIM,T=2.90 (Ref # 92180H)          | 92180-1030  | 1        |
| SHIM,T=2.95 (Ref # 92180I)          | 92180-1032  | 1        |
| SHIM,T=3.00 (Ref # 92180J)          | 92180-1034  | 1        |
| SHIM,T=3.05 (Ref # 92180K)          | 92180-1036  | 1        |
| SHIM,T=3.10 (Ref # 92180L)          | 92180-1038  | 1        |
| SHIM,T=3.15 (Ref # 92180M)          | 92180-1040  | 1        |
| SHIM,T=3.20 (Ref # 92180N)          | 92180-1042  | 1        |
| SHIM,T=3.25 (Ref # 92180O)          | 92180-1044  | 1        |
| SHIM,T=3.30 (Ref # 92180P)          | 92180-1046  | 1        |
| SHIM,T=3.35 (Ref # 92180Q)          | 92180-1048  | 1        |
| SHIM,T=3.40 (Ref # 92180R)          | 92180-1050  | 1        |
| SHIM,T=3.45 (Ref # 92180S)          | 92180-1052  | 1        |
| SHIM,T=3.50 (Ref # 92180T)          | 92180-1054  | 1        |