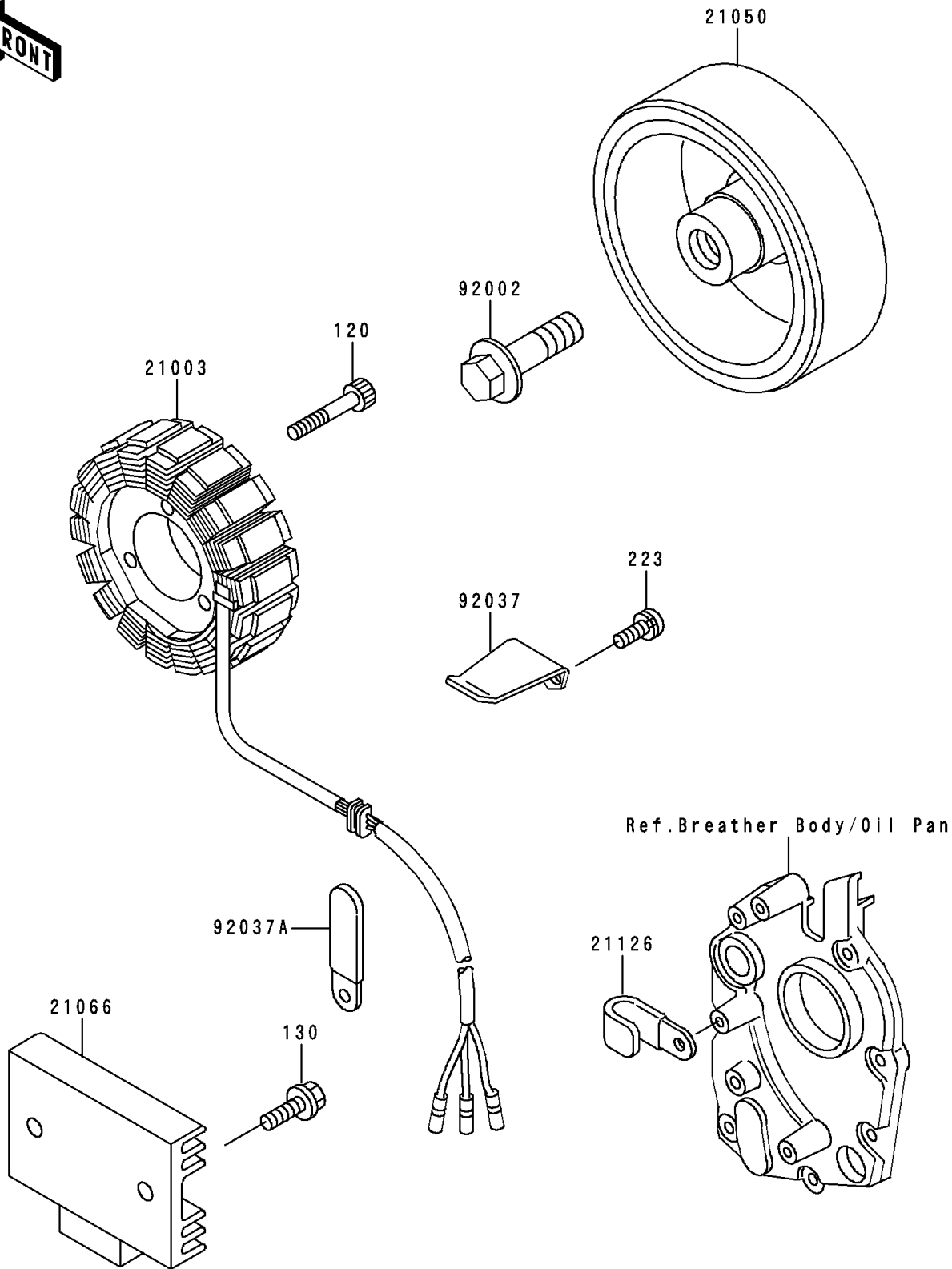


1990 Zephyr™ 550 PARTS DIAGRAM

Generator

E1810



1990 Zephyr™ 550 PARTS LIST

Generator

ITEM NAME	PART NUMBER	QUANTITY
BOLT-SOCKET,6X28 (Ref # 120)	120P0628	1
BOLT-FLANGED,6X20 (Ref # 130)	130B0620	1
SCREW-PAN-WS-CROS (Ref # 223)	223B0512	1
STATOR (Ref # 21003)	21003-1256	1
FLYWHEEL (Ref # 21050)	21050-1159	1
REGULATOR-VOLTAGE (Ref # 21066)	21066-1038	1
CLAMP,WIRING HARNESS (Ref # 21126)	21126-008	1
BOLT,FLANGED,10X40 (Ref # 92002)	92002-1296	1
CLAMP,GENERATOR LEAD (Ref # 92037)	92037-1122	1
CLAMP,WIRING HARNESS (Ref # 92037A)	92037-1539	1