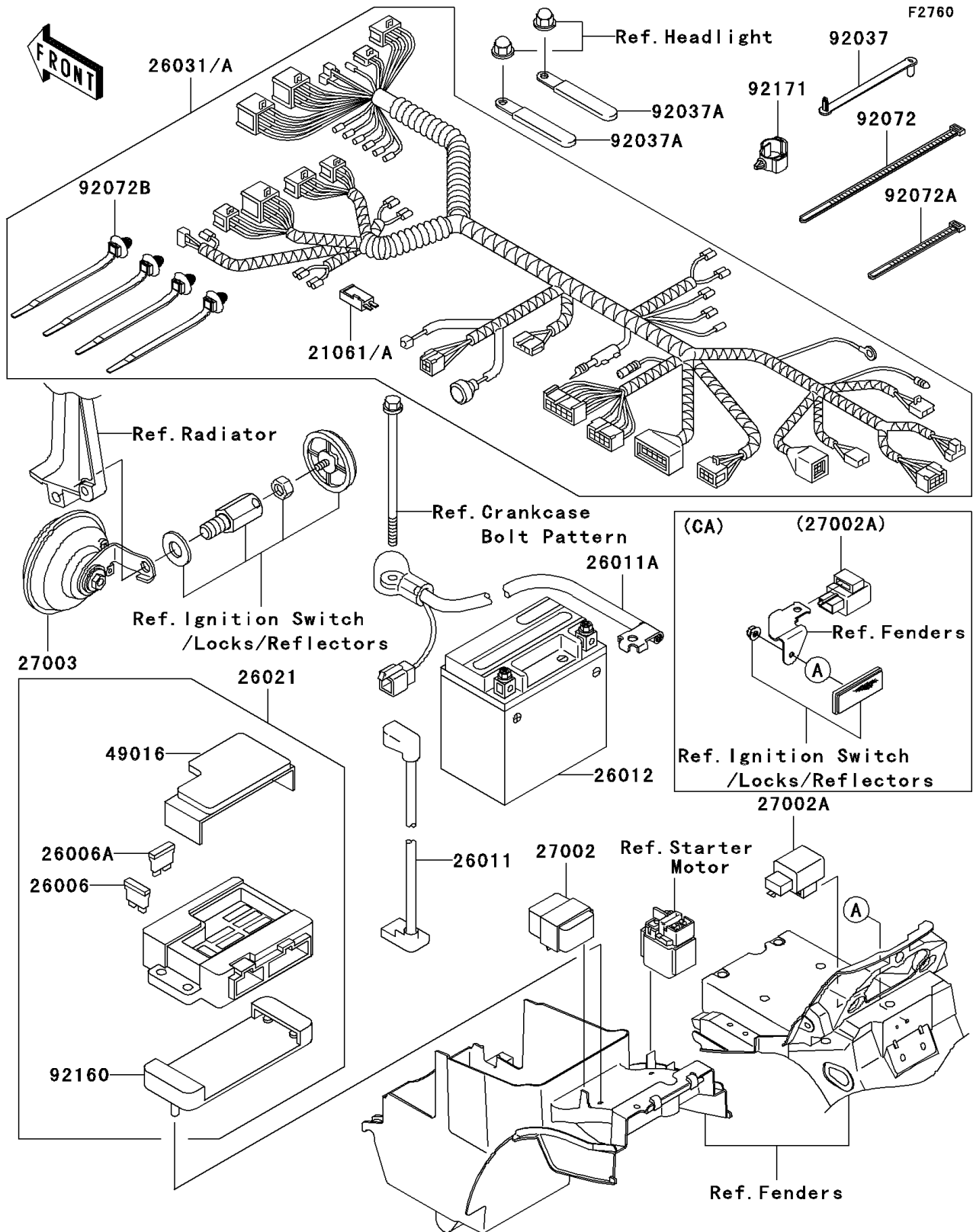


2004 ZRX1200 PARTS DIAGRAM

Chassis Electrical Equipment



2004 ZRX1200 PARTS LIST

Chassis Electrical Equipment

ITEM NAME	PART NUMBER	QUANTITY
FUSE,30A-G (Ref # 26006)	26006-1067	1
FUSE,10A-R (Ref # 26006A)	26006-1068	1
WIRE-LEAD,BATTERY(+) (Ref # 26011)	26011-1792	1
WIRE-LEAD,BATTERY(-) (Ref # 26011A)	26011-1793	1
BATTERY,FTX14-BS,12V 12AH (Ref # 26012)	26012-0047	1
JUNCTION BOX (Ref # 26021)	26021-1096	1
RELAY-ASSY,HEAD LAMP (Ref # 27002)	27002-1078	1
RELAY-ASSY,TURN SIGNAL (Ref # 27002A)	27002-1101	1
HORN,RH (Ref # 27003)	27003-1424	1
COVER-SEAL,FUSE (Ref # 49016)	49016-1177	1
CLAMP,SPEED,L=58 (Ref # 92037)	92037-1163	1
CLAMP (Ref # 92037A)	92037-1993	1
BAND,L=250 (Ref # 92072)	92072-1237	1
BAND,L=140 (Ref # 92072A)	92072-1293	1
BAND (Ref # 92072B)	92072-1414	1
DAMPER,JUNCTION BOX (Ref # 92160)	92160-1650	1
CLAMP,DIA=13 (Ref # 92171)	92171-1415	1
RECTIFIER (Ref # 21061)	21061-0001	1
RECTIFIER (Ref # 21061A)	21061-1059	1
HARNESS,MAIN (Ref # 26031)	26031-0005	1
HARNESS,MAIN (Ref # 26031A)	26031-0232	1